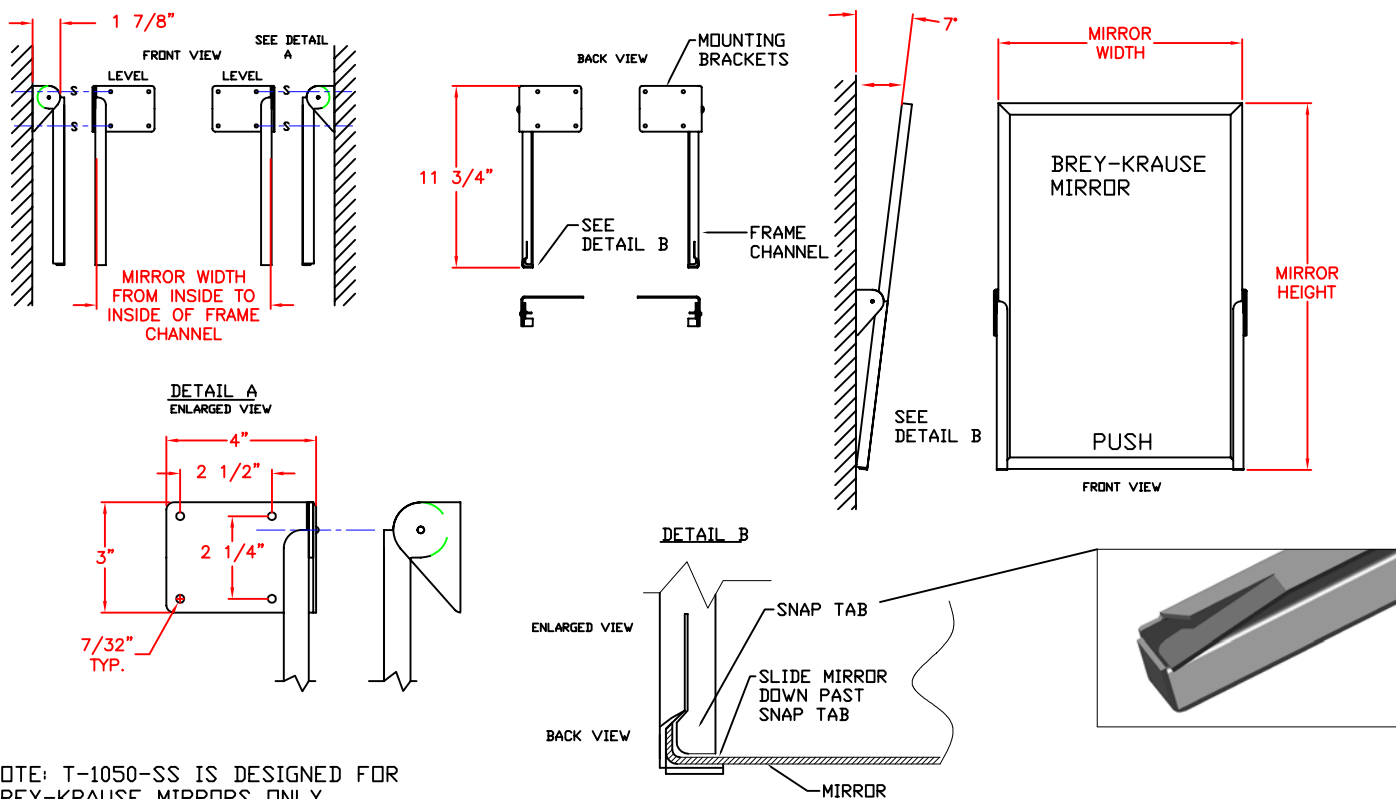




# Technical Data T-1050-SS

## ADJUSTABLE TILT MIRROR BRACKET



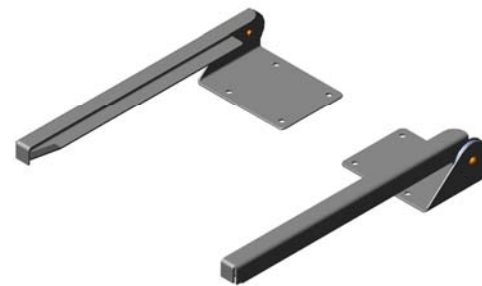
NOTE: T-1050-SS IS DESIGNED FOR BREY-KRAUSE MIRRORS ONLY

### Construction:

FRAME CHANNEL IS 16 GAUGE STAINLESS STEEL THICK AND HAS A TAMPER RESISTANT SNAP TAB ON BACK TO SECURE MIRROR ONCE INSTALLED. MOUNTING BRACKET IS 14 GAUGE STAINLESS STEEL THICK WITH (4)  $\frac{7}{32}$ " MOUNTING HOLES. BRACKET AND FRAME CHANNEL ARE ASSEMBLED TOGETHER WITH FRICTION WASHERS THAT ADJUST MIRROR 7 DEG.

### Operation:

STANDARD BREY-KRAUSE MIRROR REQUIRED. ONCE INSTALLED THE MIRROR MAY BE POSITION TO DESIRED ANGLE BY PUSHING IN OR PULLING BACK AT BOTTOM OF MIRROR. FRICTION WASHERS ALLOW MIRROR TO BE SET AT DESIRED POSITION WITH IN 7 DEG.



### Installation:

- 1-SET ONE OF THE MOUNTING BRACKETS AT DESIRED HEIGHT, LEVEL AND SPOT OR MARK MOUNTING HOLES.
- 2-FASTEN TO THE WALL WITH APPROPRIATE FASTENERS (4) NOT INCLUDED.
- 3-MEASURE INSIDE OF FRAME CHANNEL OF FASTEN BRACKET TO INSIDE OF FRAME CHANNEL OF OTHER BRACKET (MIRROR WIDTH), SET AT SAME HEIGHT, LEVEL AND SPOT OR MARK MOUNTING HOLES.
- 4-REPEAT SET 2.
- 5-SLIDE BREY-KRAUSE MIRROR INTO FRAME CHANNELS OF BOTH BRACKETS PAST SNAP TAB.
- 6-ONCE ENGAGED PAST SNAP TAB THE MIRROR IS NOW LOCKED IN PLACE.

CAUTION: MIRROR BRACKETS ARE ONLY AS STRONG AS THE ANCHORING DEVICES AND THE WALL ON WHICH IT IS MOUNTED TO.

### Guide Specification:

CONVERTS ANY STANDARD UNIVERSAL BREY-KRAUSE MIRROR TO AN ADJUSTABLE TILT MIRROR. BREY-KRAUSE MIRROR IS NOT INCLUDED. ONCE INSTALLED WITH MIRROR IS TAMPER RESISTANT. ADJUSTS TO A 7 DEG. TILT ANGLE. 304 STAINLESS STEEL CONSTRUCTION

The manufacturer reserves the right to make changes in design and material without formal notice and without incurring obligation

© Copyright 2005  
Brey-Krause Manufacturing

Brey-Krause Manufacturing  
1209 West Lehigh Street, Bethlehem, PA 18018  
Phone: 610.867.1401 Fax: 610.866.1433  
www.breykrause.com