

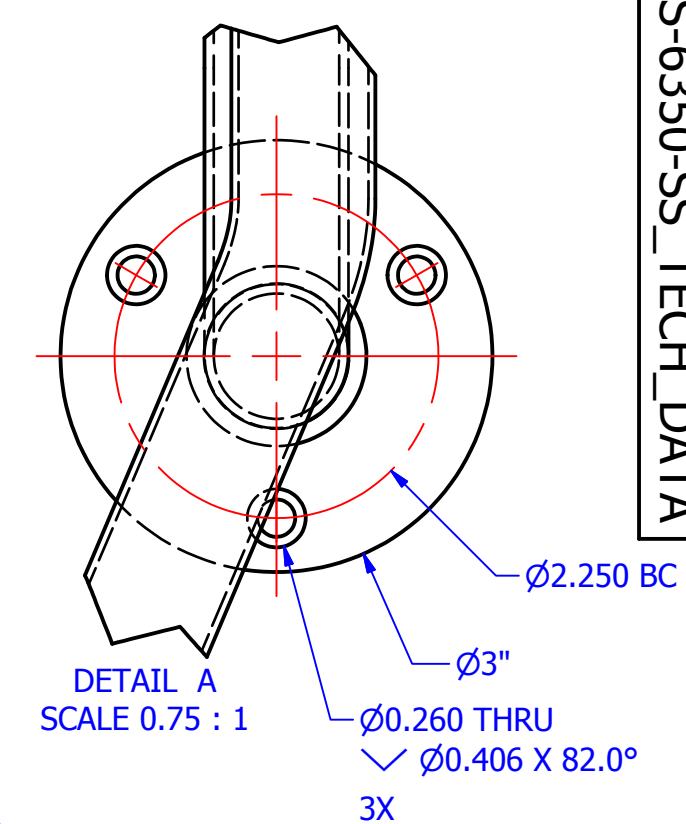
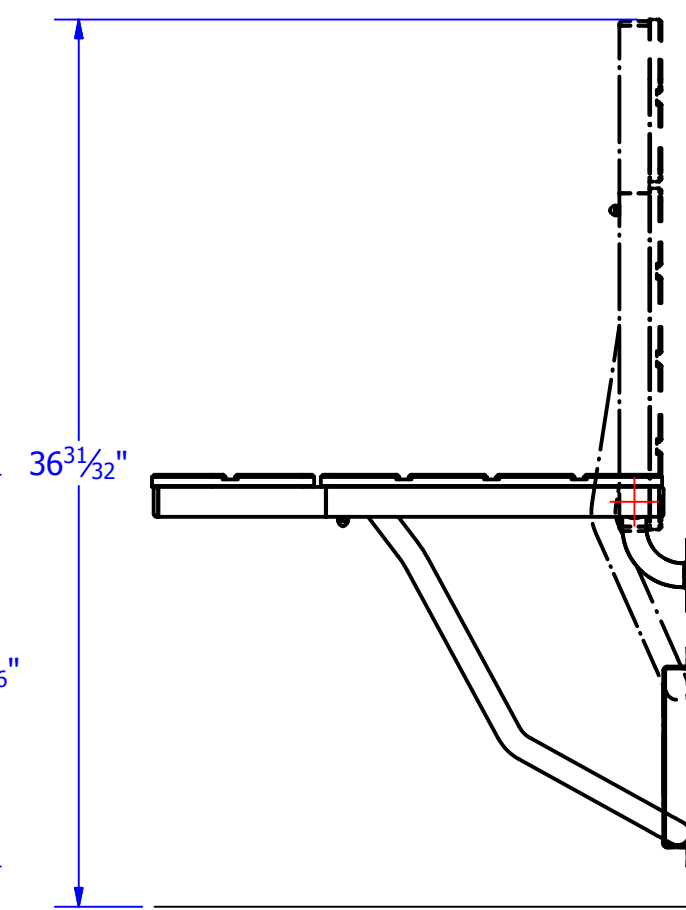
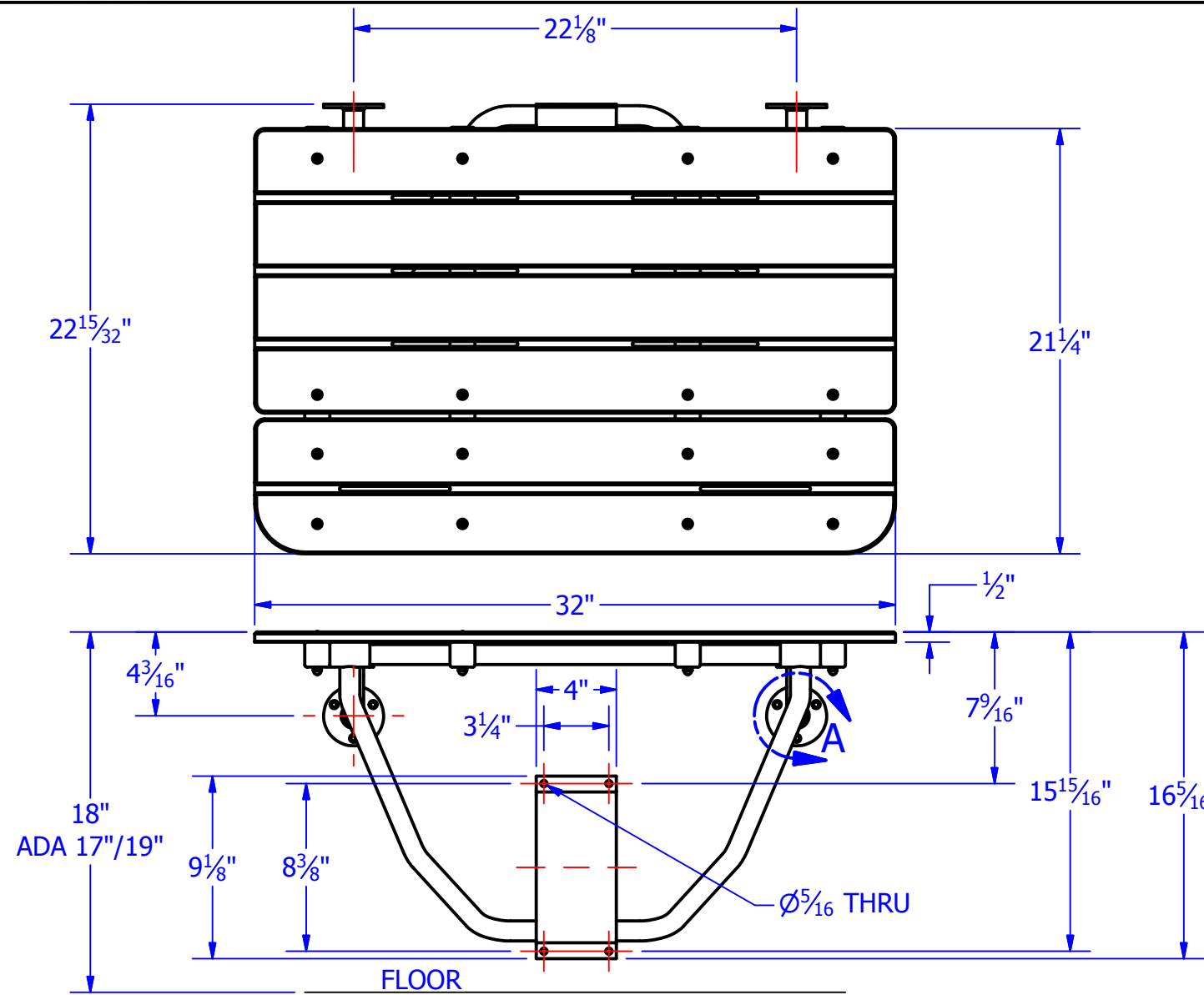


Technical Data S-6350-SS LARGE FOLD-UP SHOWER SEAT

BREY-KRAUSE MANUFACTURING
1209 W. LEHIGH STREET
BETHLEHEM, PA 18018
Phone: 610-867-1401 Fax: 610-866-1433
www.breykrause.com
© Copyright 2012

Brey-Krause Mfg. reserves the right to make changes in design and/or materials without formal notice and without incurring obligation.

FILE: S-6350-SS_Tech_DATA



DATA CURRENT AS OF: 3/11/2013

Construction:

- $1\frac{1}{4}$ " x 0.062 WALL SS TUBING FOR FRAMES
- $\varnothing 1$ " x 0.049 WALL 304 SS TUBING
- 7 GAUGE 304 SS WALL FLANGE
- ALL STAINLESS STEEL IS #4 SATIN FINISH
- TOPS ARE $\frac{1}{2}$ " THICK PHENOLIC LAMINATE W/WATER DRAIN SLOTS.
- BREY-KRAUSE SHOWER SEATS HAVE BEEN LOAD TESTED TO 400 LBS. WITHOUT FAILURE WHEN PROPERLY INSTALLED. THIS EXCEEDS THE ADA REQUIREMENT OF 250 LBS.

Operation:

TO RAISE - FOLD SEAT INTO THE UP POSITION UNTIL THE SUPPORT TUBE SNAPS INTO THE WALL PLATE DIMPLES.

TO LOWER - FOLD SEAT DOWN UNTIL THE SUPPORT TUBE BOTTOMS OUT ON THE WALL BRACKET.

CAUTION: THE SHOWER SEAT IS ONLY AS STRONG AS THE ANCHORING DEVICES AND THE WALL AREA TO WHICH IT IS MOUNTED. USE WALL BLOCKING IN MOUNTING AREA. CONSULT LOCAL BUILDING CODES FOR COMPLIANCE.

Installation:

- THE SEAT COMES FULLY ASSEMBLED. YOU ONLY NEED TO LOCATE AND MOUNT THE SEAT TO THE WALL. THEN LOCATE AND MOUNT THE SUPPORT TUBE WALL BRACKET.
- LOCATE AND LEVEL THE SEAT TOP LEFT TO RIGHT 18" ABOVE THE FLOOR, FASTEN MOUNTING FLANGES TO WALL.
- LEVEL THE SEAT FRONT TO BACK, MOUNT THE WALL PLATE AND BRACKET WITH THE SUPPORT TUBE BOTTOMED OUT ON THE WALL BRACKET WHEN THE SEAT IS LEVEL.