



Technical Data S-6280-SS

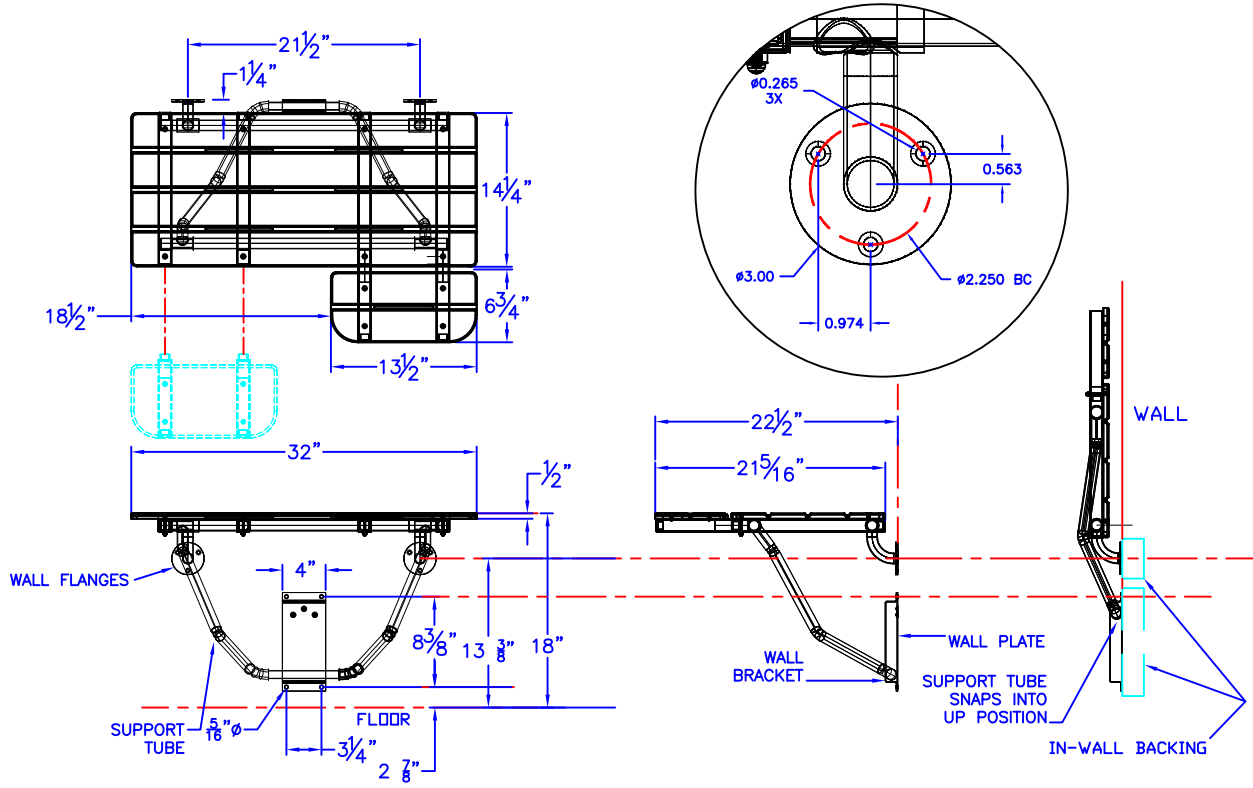
L-Shaped Reversible Shower Seat, 1 pc.

Wood Grain Phenolic Top

Brey-Krause Manufacturing
 1209 West Lehigh Street, Bethlehem, PA 18018
 Phone: 610.867.1401 Fax: 610.866.1433
 www.breykrause.com

The manufacturer reserves the right to make changes in design and material without formal notice and without incurring obligation.
 © Copyright 2005 Brey-Krause Manufacturing

REVISIONS			
REV	DESCRIPTION	DATE	APPROVED
1	Initial Drawing	02-13-2009	KRR



Construction:

- 1 1/4" X 1 1/4" X .065W STAINLESS STEEL SQUARE TUBE
- 1" X .049W STAINLESS STEEL ROUND TUBE
- 7 GAUGE WALL FLANGE (2)
- 14 GAUGE WALL PLATE AND BRACKET
- SATIN #4 FINISH
- 1/2" THICK PHENOLIC LAMINATE TOP
- 2 PIECE TOP CONSTRUCTION TO ALLOW FOR "HANDING"(RIGHT OR LEFT) WHEN INSTALLED.

Operation:

- FOLD SEAT INTO UP POSITION UNTIL SUPPORT TUBE SNAPS INTO WALL PLATE DIMPLES
- FOLD SEAT BACK DOWN UNTIL SUPPORT TUBE BOTTOMS OUT ON WALL BRACKET TO USE SEAT

Installation:

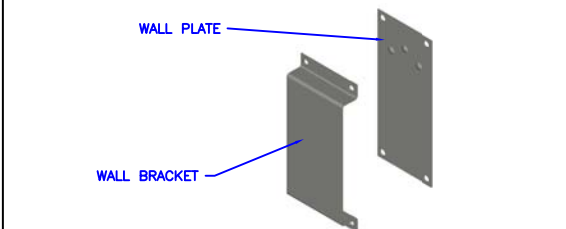
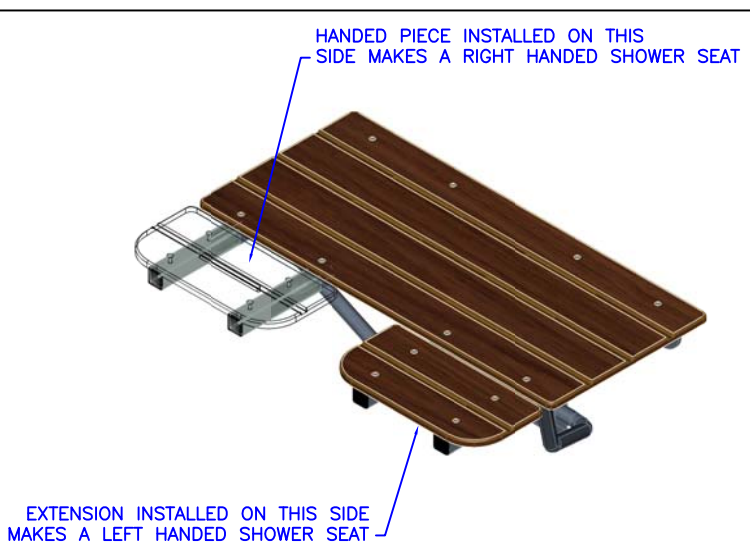
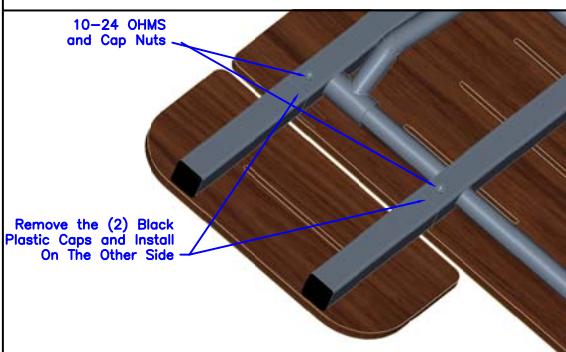
- LOCATE AND LEVEL THE SEAT TOP LEFT TO RIGHT 18" ABOVE THE FLOOR, FASTEN MOUNTING FLANGES TO WALL.
- LEVEL THE SEAT FRONT TO BACK, MOUNT THE WALL PLATE AND BRACKET WITH THE SUPPORT TUBE BOTTOMED OUT ON THE WALL BRACKET.
- AFTER THE SEAT HAS BEEN SECURELY MOUNTED, DETERMINE WHICH HAND IS REQUIRED.
- REMOVE THE (2) BLACK PLASTIC CAPS FROM THE MAIN FRAME TUBES.
- INSTALL THE HANDED PIECE INTO THE SQUARE TUBES.
- FASTEN THE (2) MACHINE SCREWS AND CAP NUTS (2).
- PLACE THE (2) BLACK PLASTIC CAPS INTO THE OPEN ENDS OF THE SQUARE TUBES IN THE MAIN FRAME.

Installation Cautionary Note:

THE SHOWER SEAT IS ONLY AS STRONG AS THE ANCHORING DEVICES AND THE WALL AREA TO WHICH IT IS MOUNTED. USE WALL BLOCKING IN MOUNTING AREA. CONSULT LOCAL BUILDING CODES FOR COMPLIANCE.

Guide Specification:

- BREY-KRAUSE SHOWER SEATS HAVE BEEN LOAD TESTED TO 400 LBS. WITHOUT FAILURE WHEN PROPERLY INSTALLED. THIS EXCEEDS THE ADA REQUIREMENT OF 250 LBS.
- TWO PIECE TOP CONSTRUCTION ENABLES THE "HANDING" OF THE SHOWER SEAT TO BE DETERMINE BY THE INSTALLER IN THE FIELD TO FIT THE SPECIFIC APPLICATION.
- FABRICATED FROM 304 STAINLESS STEEL.
- 1/2" HIGH-DENSITY POLYETHYLENE TOP FASTENED TO FRAME WITH 10-24 OVAL HEAD MACHINE SCREWS.
- SHOWER SEAT FOLDS OUT OF THE WAY WHEN NOT REQUIRED AND IS SECURED BY A SELF LOCKING MECHANISM.



EXTENSION INSTALLED ON THIS SIDE MAKES A LEFT HANDED SHOWER SEAT