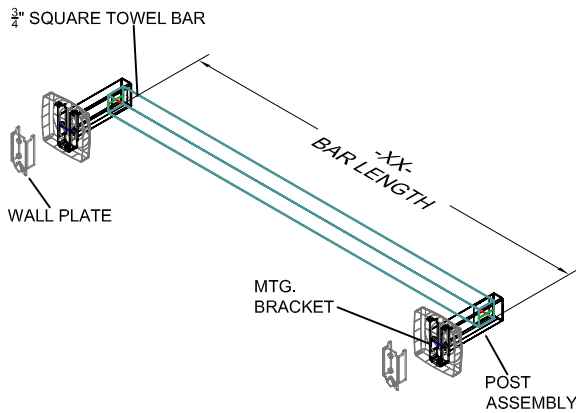
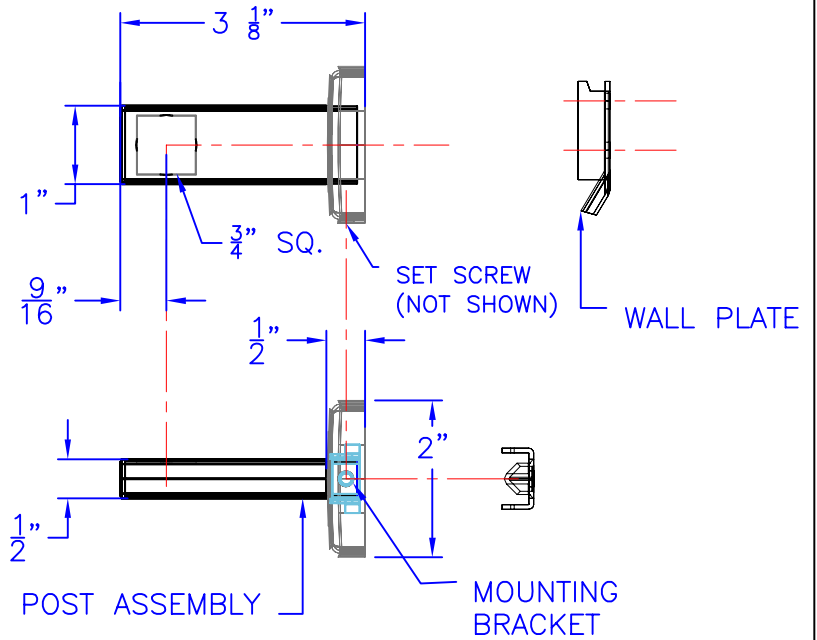
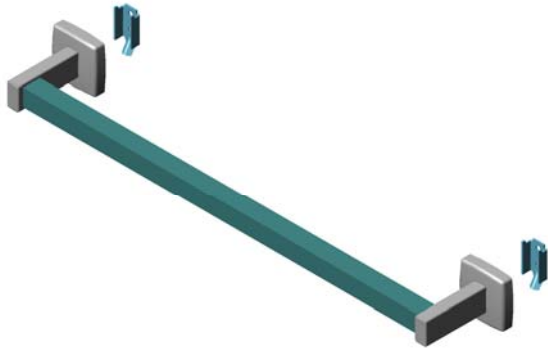




Technical Data S-4943-XX-XX

SQUARE TOWEL BAR



S-4943-XX-XX

FINISHES:

- SS SATIN STAINLESS
- BS BRIGHT STAINLESS
- PC POWDER COAT (SPECIFY COLOR)

Construction:

- POST ASSEMBLY: 22 GAUGE TYPE 304 STAINLESS STEEL
- WALL PLATE: 16 GAUGE TYPE 304 STAINLESS STEEL
- MOUNTING BRACKET: 16 GAUGE TYPE 304 STAINLESS STEEL
- TOWEL BAR: 3/4" SQUARE X .012 WALL STAINLESS STEEL (-XX- = SPECIFY LENGTH)
- SET SCREW: 8-32 X 5/16"
- MOUNTING SCREWS: #8 X 1 1/4" PHIL. PAN HD. ZINC PLATE
- FINISHES AS NOTED.

Installation:

- FASTEN WALL PLATE.
- TILT POST ASSEMBLY UP SLIGHTLY AND ENGAGE OVER WALL PLATE AND PUSH DOWN TO LEVEL.
- (SET SCREW HOLE AND POST SEAM ARE TOWARDS FLOOR OR DOWN)
- THREAD SET SCREW THROUGH POST FLANGE AND MOUNTING BRACKET UNTIL TIGHT.
- SET DISTANCE WITH TOWEL BAR AND REPEAT FOR OTHER POST.
- (INSERT TOWEL BAR INTO POST WHEN FASTENING SET SCREW TO SECOND POST)
- CAUTION: UNIT IS ONLY AS STRONG AS THE ANCHORING DEVICES AND THE WALL ON WHICH IT IS MOUNTED TO.

Guide Specification:

- 3/4" SQUARE TOWEL BAR (LENGTH AND FINISH AS INDICATED)
- CONCEALED MOUNTING SYSTEM.
- FABRICATED FROM TYPE 304 STAINLESS STEEL.

The manufacturer reserves the right to make changes in design and material without formal notice and without incurring obligation

© Copyright 2005
Brey-Krause Manufacturing

Brey-Krause Manufacturing
1209 West Lehigh Street, Bethlehem, PA 18018
Phone: 610.867.1401 Fax: 610.866.1433
www.breykrause.com