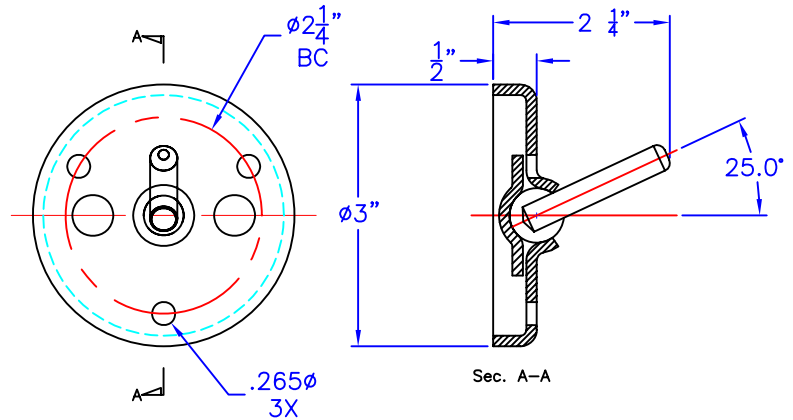
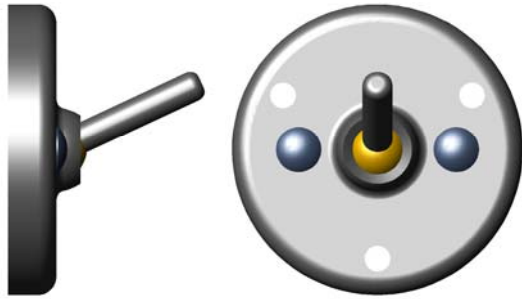




# Technical Data

## S-4040-SS

SECURITY TOWEL HOOK, EXPOSED MOUNT



### Construction:

FLANGE: 11 GAUGE X 3" DIAMETER TYPE 304 STAINLESS STEEL.

HOOK:  $\frac{5}{16}$ " DIAMETER STAINLESS STEEL ROD WITH PIVOTING BALL JOINT THAT RELEASES UNDER EXCESSIVE LOAD.

### Operation:

HOOK WITH PIVOTING BALL JOINT RELEASES WHEN EXCESSIVE LOAD IS APPLIED.  
THE HOOK CAN BE RESET BY HAND WHEN REQUIRED.

### Installation:

USE FLANGE TO MARK HOLES AT DESIRED HEIGHT.

FLANGE HAS (3) MOUNTING HOLES TO RECEIVE  $\frac{1}{4}$ "-20 X 1  $\frac{1}{2}$ " PIN IN TORX SCREWS (SUPPLIED) FOR EXPOSED MOUNT.

FASTEN TO WALL. WALL ANCHORS ARE NOT PROVIDED.

CAUTION: UNIT IS ONLY AS STRONG AS THE ANCHORING DEVICES AND THE WALL IN WHICH IT IS MOUNTED TO.

### Guide Specification:

EXPOSED MOUNT SECURITY TOWEL HOOK.  
HOOK RELEASES WHEN EXCESSIVE LOAD IS APPLIED.  
HOOK IS RESET WHEN REQUIRED.  
ONE PIECE CONSTRUCTION.  
SATIN #4 FINISH.