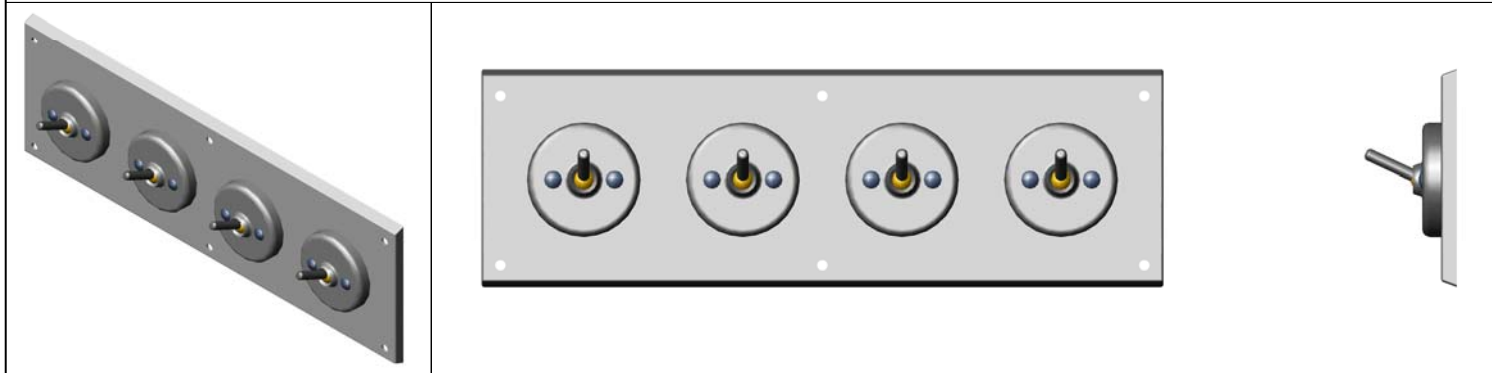
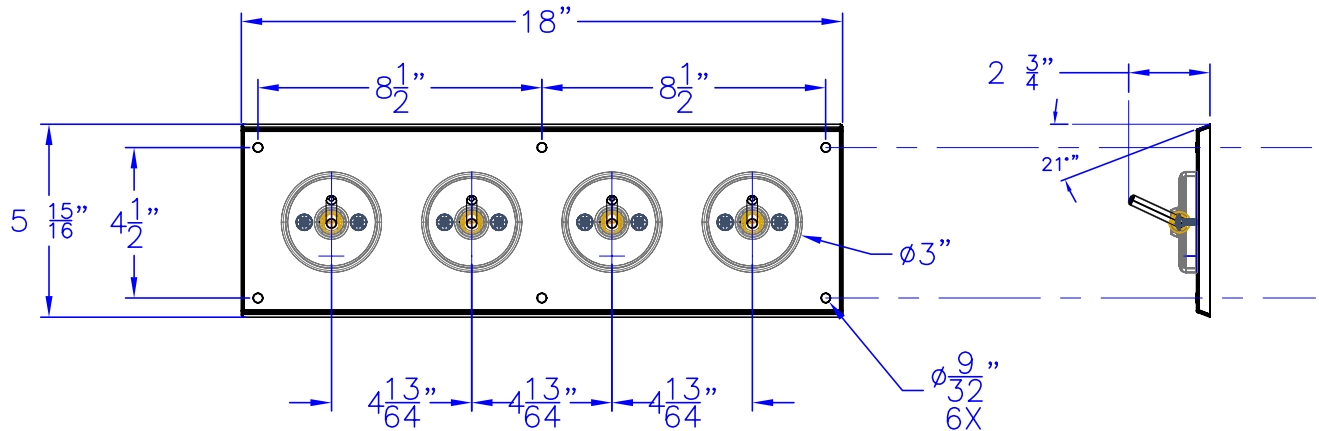




Technical Data

S-4038-SS

EXPOSED MOUNT SECURITY HOOK STRIP



Construction:

FLANGE: 11 GAUGE X 3" DIAMETER TYPE 304 STAINLESS STEEL.

HOOK: 5/16" DIAMETER STAINLESS STEEL ROD WITH PIVOTING BALL JOINT THAT RELEASES UNDER EXCESSIVE LOAD.

WALL PLATE: 14 GAUGE TYPE 304 STAINLESS STEEL, FORMED AND WELDED FOR ONE PIECE CONSTRUCTION, WITH (4) SECURITY TOWEL HOOKS PRE-FASTEN TO WALL PLATE.

Operation:

4 INDIVIDUAL SECURITY HOOKS PRE-FASTEN TO WALL PLATE.

EACH HOOK HAS PIVOTING BALL JOINT AND RELEASES WHEN EXCESSIVE LOAD IS APPLIED.

THE HOOK CAN BE RESET BY HAND WHEN REQUIRED.

Installation:

USE WALL PLATE TO MARK HOLES AT DESIRED HEIGHT.

WALL PLATE HAS (6) MOUNTING HOLES TO RECEIVE 1/4"-20 X 1 1/2" PIN IN TORX SCREWS (SUPPLIED) FOR EXPOSED MOUNT.

FASTEN TO WALL. WALL ANCHORS ARE NOT PROVIDED.

CAUTION: UNIT IS ONLY AS STRONG AS THE ANCHORING DEVICES AND THE WALL IN WHICH IT IS MOUNTED TO.

Guide Specification:

EXPOSED MOUNT SECURITY TOWEL HOOK STRIP WITH (4) HOOKS

EACH HOOK RELEASES WHEN EXCESSIVE LOAD IS APPLIED.

HOOK IS RESET WHEN REQUIRED.

ONE PIECE CONSTRUCTION.

SATIN #4 FINISH.