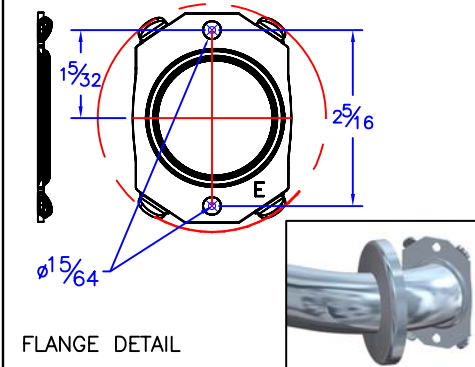
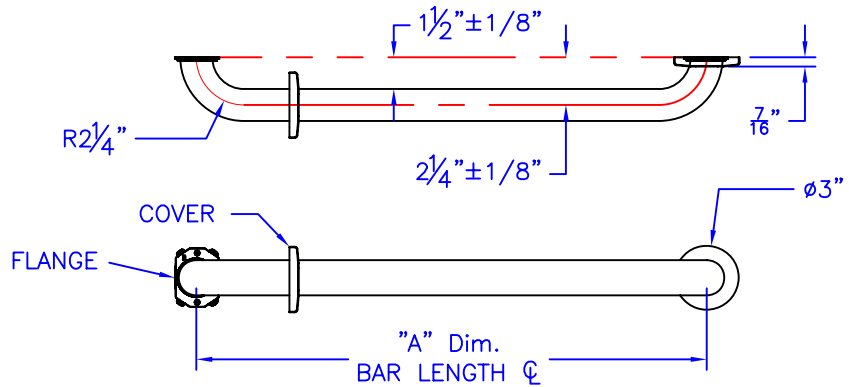
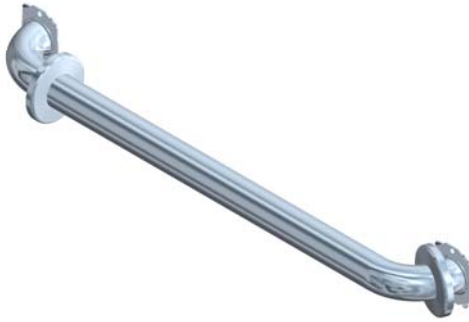




Technical Data

D-78XX-XX

1 1/2" STRAIGHT GRAB BAR



FLANGE # D-78	BAR # (LENGTH) XX	FINISH XX	GRIP XX
BAR # (LENGTHS)			
-10	12"		
-11	16"		
-12	18"		
-13	24"		
-21	30"		
-14	32"		
-15	42"		
-16	36"		
-17	48"		

- FINISHES:
- SS SATIN STAINLESS
 - BS BRIGHT STAINLESS
 - SS-P SATIN STAINLESS WITH PEENED SAFETY GRIP
 - BS-P BRIGHT STAINLESS WITH PEENED SAFETY GRIP
 - SS-K SATIN STAINLESS WITH KNURLED SAFETY GRIP
 - BS-K BRIGHT STAINLESS WITH KNURLED SAFETY GRIP
 - PC POWDER COAT - SPECIFY COLOR

PEENED AND KNURLED GRIPS WILL BE APPLIED TO STRAIGHT SECTION OF GRAB BAR ONLY.

Construction:

- TUBING:** 1 1/2" X 18 GAUGE, STAINLESS STEEL. MANDREL BENT TUBE ENDS PASS THROUGH FLANGES, TIG WELDED TO FORM A SINGLE STRUCTURE UNIT. WALL CLEARANCE IS 1 1/2" ± 1/8".
- FLANGES:** 14 GAUGE, STAINLESS STEEL WITH (2) ø1 5/64" HOLES FOR ATTACHING TO WALL.
- COVERS:** 22 GAUGE, STAINLESS STEEL, ø3" X 7/16" DEEP. EACH COVER SNAPS OVER FLANGE TO CONCEAL MOUNTING SCREWS.

STRENGTH:

BREY-KRAUSE GRAB BARS WITH 1 1/2" WALL CLEARANCE MEET AND EXCEED ADA LOAD REQUIREMENTS OF 250 POUNDS WHEN PROPERLY INSTALLED.

CAUTION: A GRAB BAR IS ONLY AS STRONG AS THE ANCHORING DEVICES AND THE WALL ON WHICH IT IS MOUNTED TO.

Installation:

SECURE GRAB BAR TO WALL WHERE ADEQUATE IN-WALL BACKING EXISTS. POSITION BAR HORIZONTALLY SO THAT THE GRIPPING SURFACE IS 33" TO 36" ABOVE FINISHED FLOOR. USE GRAB BAR AS TEMPLATE TO LOCATE MOUNTING HOLES. DRILL HOLES AND SET ANCHORS. MOUNT GRAB BAR TO WALL AND SECURE MOUNTING SCREWS. SNAP COVERS OVER FLANGES. GRAB BAR MOUNTING KITS ARE AVAILABLE.

Guide Specification:

STAINLESS STEEL GRAB WITH CONCEALED MOUNTING FLANGES AND SNAP ON COVERS IN SIZE AND CONFIGURATION INDICATED.