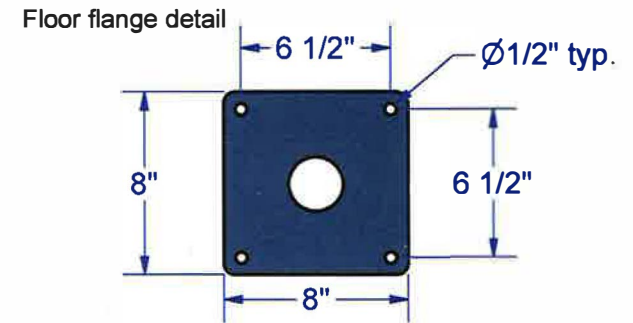
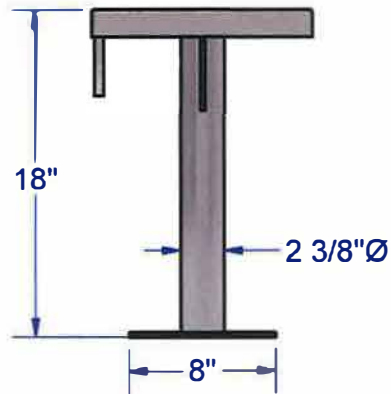
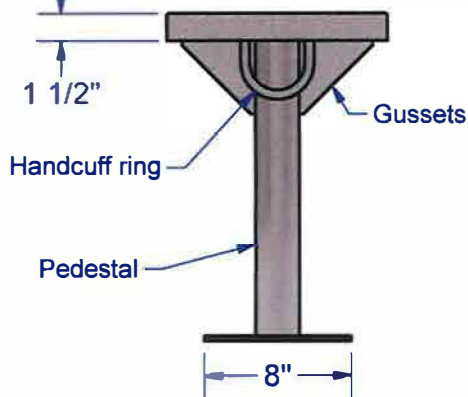
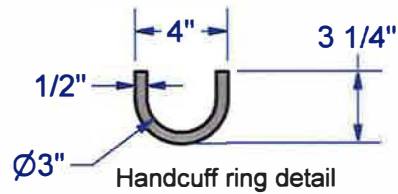
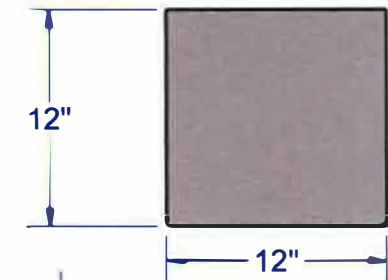




Technical Data Sheet

S-4096-12-SS
 12" x 12" Detention seat
 with handcuff ring



CONSULT LOCAL AND NATIONAL ACCESSIBILITY CODES FOR PROPER INSTALLATION GUIDELINES.

CONFORMITY AND COMPLIANCE TO LOCAL AND NATIONAL CODES IS THE RESPONSIBILITY OF THE INSTALLER.

DETENTION SEAT IS ONLY AS STRONG AS THE ANCHORING DEVICES AND THE FLOOR ON WHICH IT IS MOUNTED TO.

Construction:

Bench: 12 gauge type 304 stainless steel. Corners welded and ground smooth. 1 1/2" returns all around.
Floor flange: 1/4" type 304 stainless steel. Welded to pedestal.
Pedestal: 2" schedule 40 type 304 stainless steel pipe. Welded to 12 gauge plate under bottom of bench.
Handcuff ring: 1/2" thick type 304 stainless steel plate. welded to bottom of bench.
Finish: satin #4

Guide Specification:

Detention seat 12" wide x 12" long.
 Handcuff ring attached.
 Exposed floor mounting.
 Fully welded construction.

Installation:

Use floor flange as a template to mark and locate mounting holes.
 Secure to floor using appropriate fasteners and anchors (not provided).