



BREY-KRAUSE MANUFACTURING
 1209 W. LEHIGH ST., BETHLEHEM, PA 18018
 PHONE: 610-867-1401 FAX: 610-866-1433
 www.breykrause.com
 Brey-Krause Mfg. reserves the right to make changes in design and/or materials without formal notice and without incurring obligation.

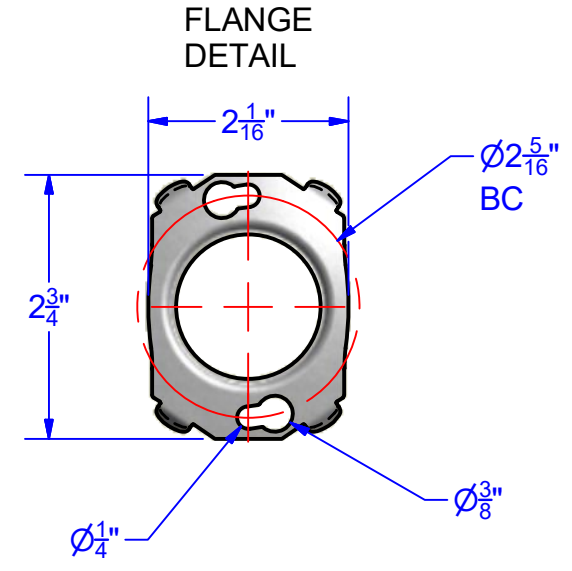
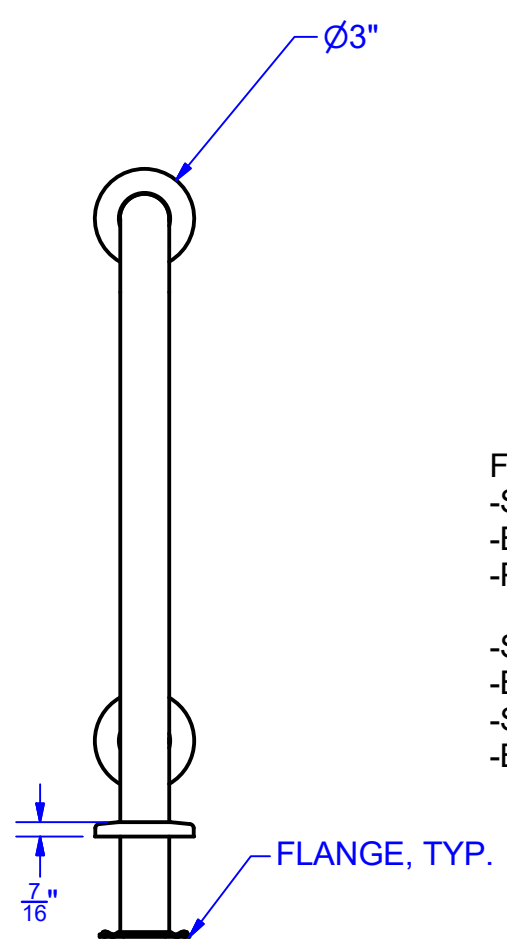
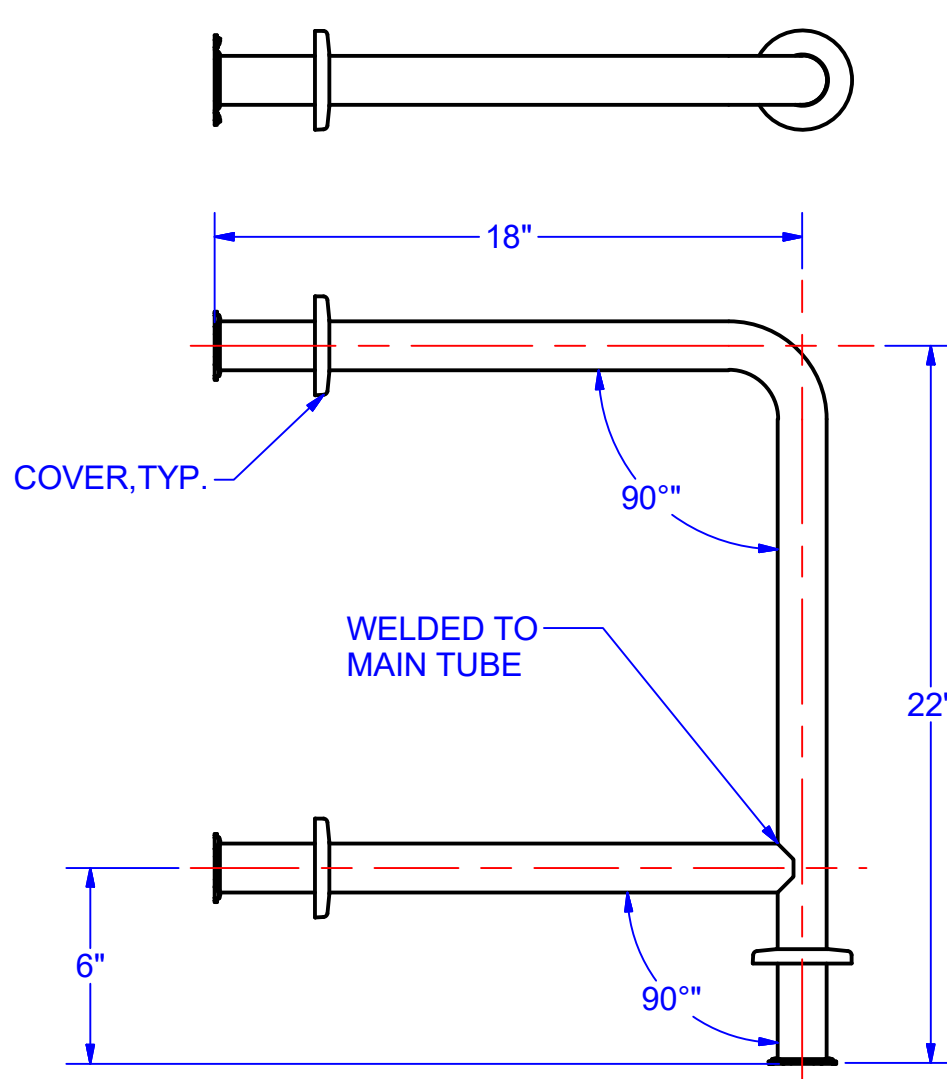
TECHNICAL DATA SHEET

D-7867-06-XX

DRINKING FOUNTAIN BAR

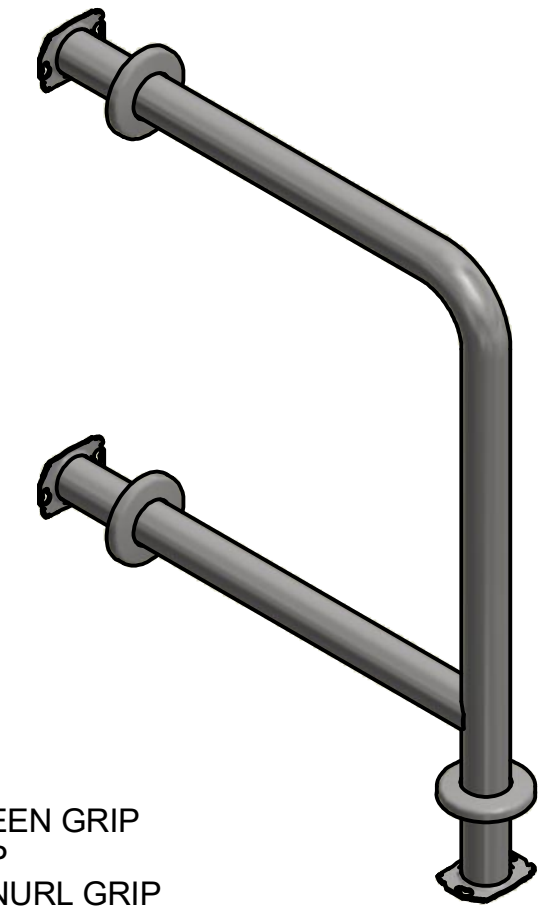
DRAWN BY: D. MARTIN	DATE: 3/7/2014	B
TOLERANCES (UNLESS OTHERWISE SPECIFIED)		
FRACTIONAL : ± 1/8"	X.XX : ± 0.010	
∠ : ± 1°	X.XXX : ± 0.005	
	X.XXXX : ± 0.0002	

FILE: D-7867-XX-06 TECH DATA



- FINISH CODES: -XX
 -SS = #4 SATIN STAINLESS STEEL
 -BS = BRIGHT POLISHED STAINLESS STEEL
 -PC = POWDER COAT (SPECIFY COLOR)
- SS-P = #4 SATIN STAINLESS STEEL WITH PEEN GRIP
 -BS-P = BRIGHT POLISHED STAINLESS STEEL WITH PEEN GRIP
 -SS-K = #4 SATIN STAINLESS STEEL WITH KNURL GRIP
 -BS-K = BRIGHT POLISHED STAINLESS STEEL WITH KNURL GRIP

** PEEN AND KNURL GRIPS APPLIED TO TOP OF BAR ONLY.



CONSTRUCTION:
 TUBING: 1 1/2" ∅ X 18 GAUGE STAINLESS STEEL. MANDREL BENT TUBE END. TUBE PASSES THROUGH FLANGES, TIG WELDED TO FORM A SINGLE STRUCTURE UNIT.
 FLANGES: 14 GAUGE STAINLESS STEEL WITH (2) KEY SLOT HOLES FOR ATTACHING TO WALL AND FLOOR,
 COVERS: 22 GAUGE STAINLESS STEEL. 3"∅ X 7/16" DEEP. EACH COVER SNAPS OVER FLANGE TO CONCEAL MOUNTING SCREWS.

OPERATION:
 STAINLESS STEEL GRAB BAR WITH CONCEALED MOUNTING FLANGES AND SNAP COVERS IN FINISHES AS INDICATED.

INSTALLATION:
 SECURE GRAB BAR TO WALL AND FLOOR WHERE ADEQUATE IN-WALL BACKING EXISTS.
 USE GRAB BAR AS TEMPLATE TO LOCATE MOUNTING HOLES.
 DRILL HOLES AND SET ANCHORS.
 MOUNT GRAB BAR TOWALL AND FLOOR, SECURE MOUNTING SCREWS.
 SNAP COVERS OVER FLANGES.

CAUTION: GRAB BAR IS ONLY AS STRONG AS THE ANCHORING DEVICES AND THE WALL AND FLOOR ON WHICH IT IS MOUNTED TO.