



# TECHNICAL DATA SHEET

D-1390

4" X 6" GRAB BAR SHELF

DRAWN BY:  
dmartin

11/6/2015

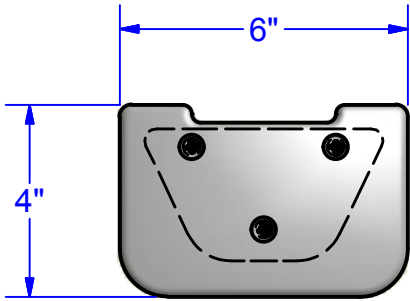
TOLERANCES:

FRACTION : ± 1/8"

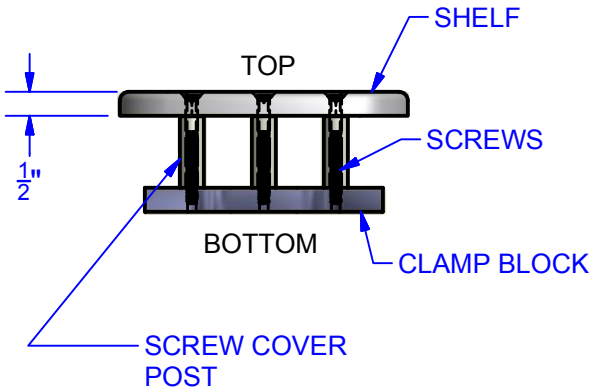
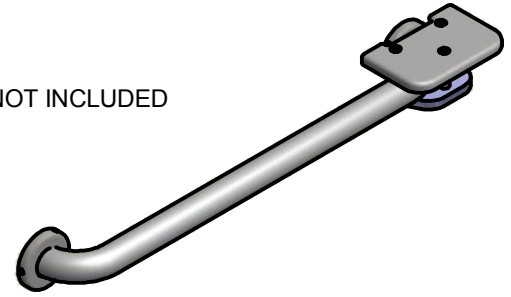
X.XX : ± 0.010

∠ : ± 1°

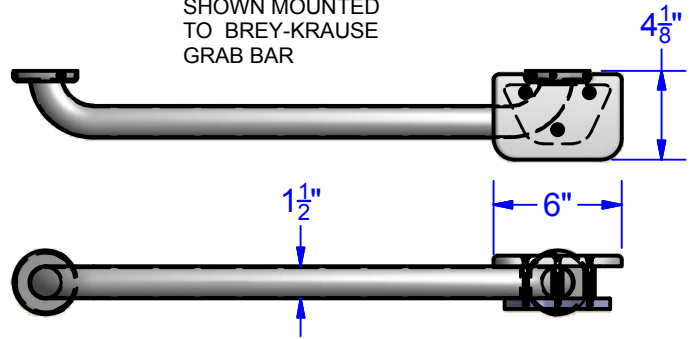
X.XXX : ± 0.005



GRAB BAR NOT INCLUDED



TOP VIEW  
SHOWN MOUNTED  
TO BREY-KRAUSE  
GRAB BAR



## **CONSTRUCTION:**

SHELF: 1/2" THICK HIGH DENSITY WHITE POLYETHYLENE (HDPE)  
CLAMP BLOCK: 1/2" THICK HIGH DENSITY WHITE POLYETHYLENE (HDPE)  
SCREWS: 10-32 X 2 1/2" LONG PHIL FLAT HEAD 18-8 STAINLESS STEEL.  
SCREW COVER POST: 1/2"Ø WHITE NYLON TUBE.

## **INSTALLATION:**

USING THE (3) SUPPLIED SCREWS ASSEMBLE SHELF AND CLAMP BLOCK TOGETHER. THE NOTCH WILL CENTER ITSELF WITH THE FLANGE. ONE OF THE SCREWS WILL BE ON THE INSIDE OF THE BEND AND THE OTHER TWO ON THE OUTSIDE. INSERT SCREW INTO SCREW COVER POSTS BETWEEN SHELF AND CLAMP BLOCK. SNUG SCREWS EVENLY. DO NOT OVER TIGHT SCREWS.

SHELF CAN BE MOUNTED TO EITHER SIDE OF GRAB BAR AND ANY STYLE 1 1/2" Ø BREY-KRAUSE GRAB BAR.

## **GUIDE SPECIFICATION:**

4" X 6" X 1/2" THICK HIGH DENSITY WHITE POLYETHYLENE UTILITY GRAB BAR SHELF.  
MOUNTS TO ANY STYLE BREY-KRAUSE 1 1/2"Ø GRAB BAR.