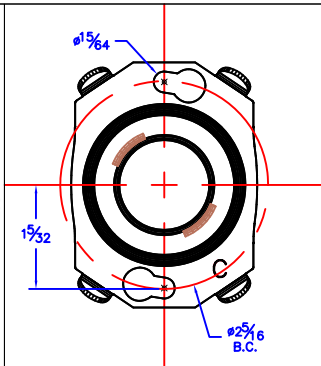
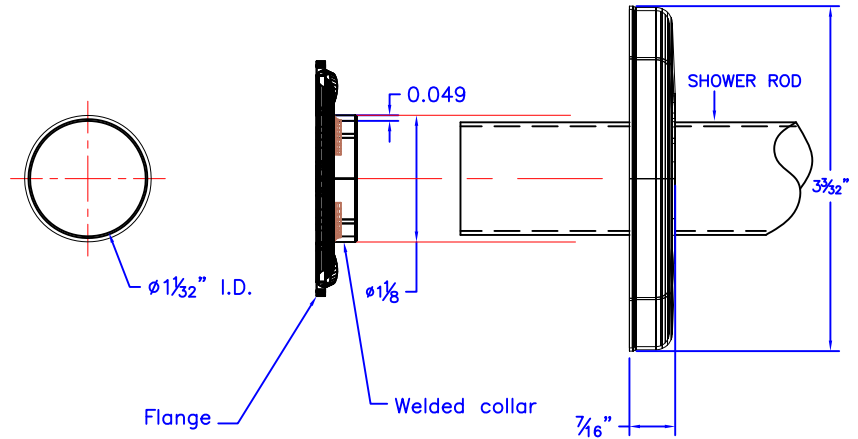




# Technical Data

## S-4691-XX

### 1" SHOWER ROD FLANGE AND COVER



**FINISHES:**

- SS = SATIN STAINLESS
- BS = BRIGHT STAINLESS
- PC = POWDER COAT (SPECIFY COLOR)

NOTE: FINISH ONLY APPLIES TO COVER

PART NUMBER INCLUDES ONE PAIR OF FLANGES AND COVERS. SHOWER ROD IS NOT INCLUDED IN THIS PART NUMBER.

**Construction:**

FLANGE: 14 GAUGE X TYPE 304 STAINLESS STEEL WITH (2)  $\phi 5/64$ " MOUNTING HOLES FOR ATTACHING TO WALL.  
 COVER: 22 GAUGE TYPE 304 STAINLESS STEEL. SNAPS ONTO FLANGE.  
 COLLAR:  $1\frac{1}{8}$ " $\phi$  X .049 WALL TYPE 304 STAINLESS STEEL TUBE WELDED TO FLANGE.

**Operation:**

HOLDS A  $\phi 1$ " STRAIGHT SHOWER ROD.

**Installation:**

USE FLANGE AS TEMPLATE TO LOCATE HOLES ON BOTH WALLS.  
 DRILL HOLES.  
 FASTEN ONE FLANGE TO WALL.  
 INSERT ONE END OF SHOWER ROD (NOT INCLUDED) INTO MOUNTED FLANGE.  
 INSTALL COVERS.  
 SLIDE OTHER FLANGE ONTO SHOWER ROD, POSITION AND FASTEN FLANGE TO WALL.  
 SNAP COVERS ONTO FLANGES.

CAUTION: FLANGES ARE ONLY AS STRONG AS THE ANCHORING DEVICES AND THE WALL ON WHICH IT IS MOUNTED TO.

**Guide Specification:**

HOLDS  $\phi 1$ " SHOWER ROD.  
 TYPE 304 STAINLESS STEEL CONCEALED MOUNT SHOWER ROD FLANGE.  
 INCLUDES ONE PAIR.

The manufacturer reserves the right to make changes in design and material without formal notice and without incurring obligation

© Copyright 2005  
 Brey-Krause Manufacturing

Brey-Krause Manufacturing  
 1209 West Lehigh Street, Bethlehem, PA 18018  
 Phone: 610.867.1401 Fax: 610.866.1433  
 www.breykrause.com