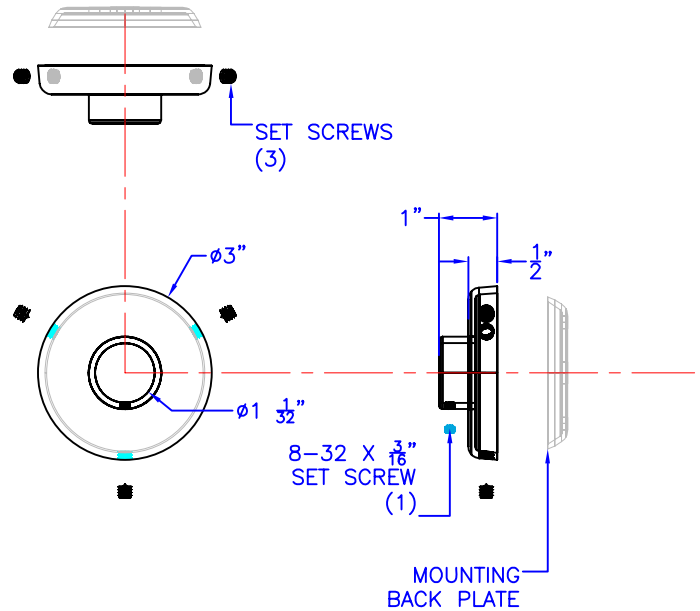
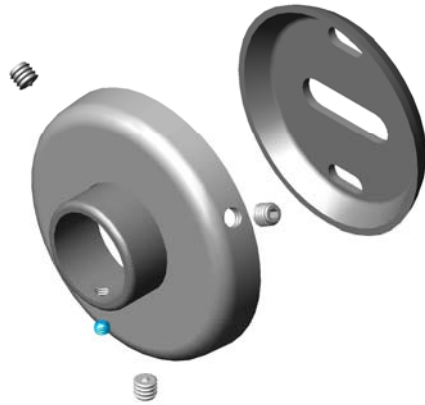




Technical Data

S-4669-XX

1" WELDED CONCEALED SHOWER ROD FLANGE (PAIR)



FINISHES:
 -SS SATIN STAINLESS
 -BS BRIGHT STAINLESS
 -(PC) POWDER COAT - SPECIFY COLOR

Construction:

FLANGE: 11 GAUGE X 3" DIAMETER TYP 304 STAINLESS STEEL WITH (3) 1/4-20 SET SCREWS

COLLAR: 1 1/4" X .109WALL TYPE 304 STAINLESS STEEL FULLY WELDED TO FLANGE ONE WITH AN 8-32 SET SCREW TO SECURE SHOWER ROD

BACK PLATE: 13 GAUGE ZINC PLATE STEEL

Operation:

MOUNTS TO WALL AND HOLDS A 1" DIAMETER SHOWER ROD

Installation:

USE BACK PLATE TO MARK DESIRED LOCATION.
 DRILL HOLES AND SET ANCHORS, FASTEN BACK PLATES TO WALL
 SECURE ONE OF THE FLANGE TO BACK PLATE WITH SET SCREWS(3), TURNING THEM IN EQUALLY.
 SLIDE SHOWER ROD INTO FIXED FLANGE, SLIDE OTHER FLANGE ONTO SHOWER ROD AND REPEAT STEP TO FASTEN TO BACK PLATE, USE SET SCREW TO SECURE ROD TO FLANGE

CAUTION: FLANGES ARE ONLY AS STRONG AS THE ANCHORING DEVICES AND THE WALL ON WHICH IT IS MOUNTED TO.

Guide Specification:

FLANGES ARE FABRICATED OF 304 STAINLESS STEEL WITH CONCEALED MOUNTING. PART INCLUDES ONE PAIR OF FLANGES, ONE WITH OUT AND ONE WITH SHOWER ROD SET SCREW & BACK PLATES. WALL FASTENERS ARE NOT INCLUDED. SHOWER ROD ALSO NOT INCLUDED.