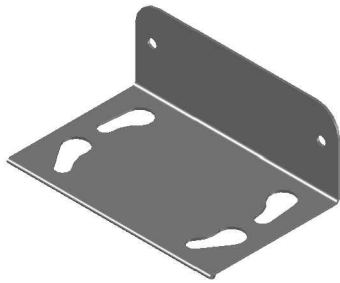


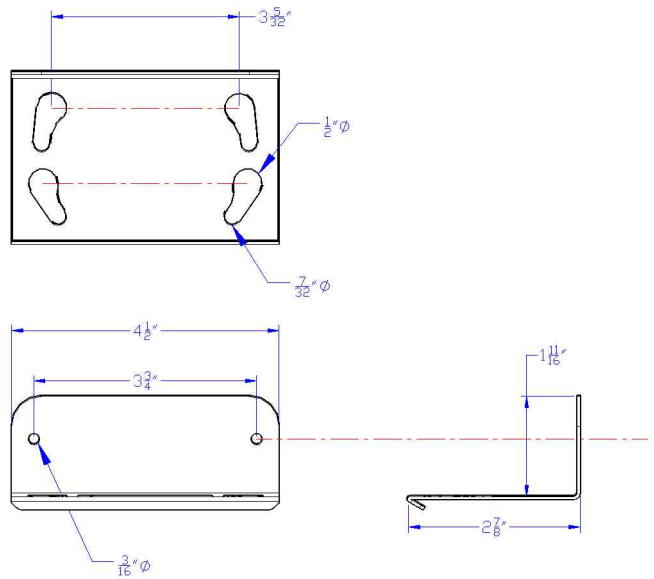


# Technical Data S-4018-XX

## EXPOSED MOUNT TOOTH BRUSH HOLDER



FINISHES:-XX  
-SS = SATIN STAINLESS  
-PC = POWDER COAT-SPECIFY COLOR



### Construction:

FORMED ONE PIECE 18 GAUGE TYPE 304 STAINLESS STEEL

### Operation:

HOLDS 4 TOOTH BRUSHES

### Installation:

USE TOOTH BRUSH HOLDER AS TEMPLATE TO LOCATE AND MARK MOUNTING HOLES.  
FASTEN TO WALL USING APPROPRIATE FASTENERS.

TOOTH BRUSH HOLDER IS ONLY AS STRONG AS THE ANCHORING DEVICES AND THE WALL ON WHICH IT IS MOUNTED TO.

### Guide Specification:

HOLDS 4 TOOTH BRUSHES  
18 GAUGE TYPE 304 STAINLESS STEEL ONE PIECE CONSTRUCTION.  
EXPOSED MOUNTING.  
FINISHES AS INDICATED.

The manufacturer reserves the right to make changes in design and material without formal notice and without incurring obligation

© Copyright 2005  
Brey-Krause Manufacturing

Brey-Krause Manufacturing  
1209 West Lehigh Street, Bethlehem, PA 18018  
Phone: 610.867.1401 Fax: 610.866.1433  
www.breykrause.com