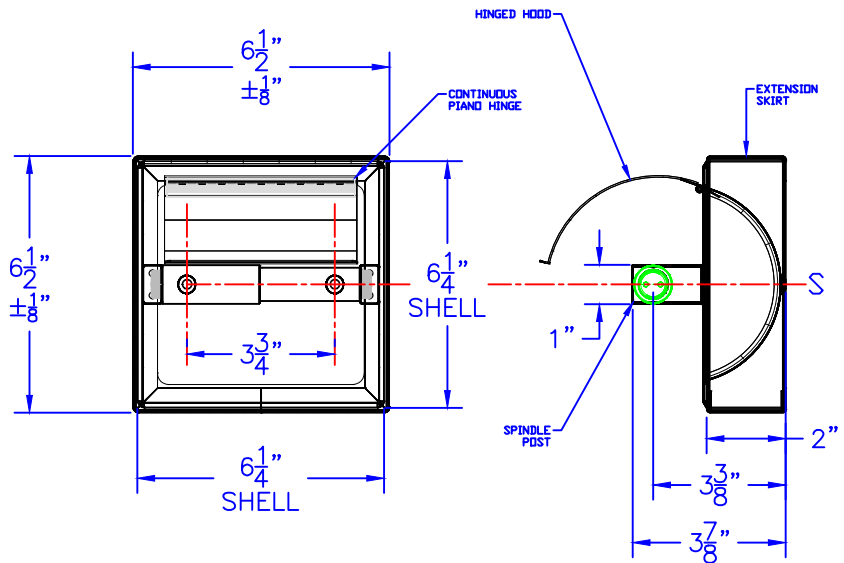
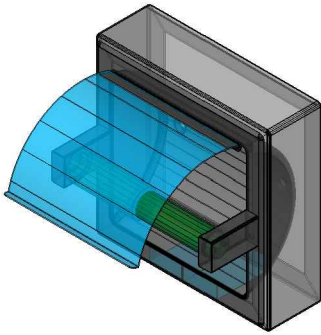




Technical Data

S-2675-XX

SURFACE MOUNTED TOILET TISSUE DISPENSER WITH HINGED HOOD



FINISH CODES: -XX

- SS = SATIN STAINLESS
- BS = BRIGHT STAINLESS
- PC = POWDER COATED (SPECIFY COLOR)

Construction:

EXTENSION SKIRT: 22 GAUGE TYPE 304 STAINLESS STEEL
TOILET TISSUE DISPENSER: 22 GAUGE TYPE 304 STAINLESS STEEL, DRAWN ONE PIECE SEAMLESS CONSTRUCTION WITH (2) COUNTERSUNK MOUNTING HOLES.
HINGED HOOD: 22 GAUGE TYPE 304 STAINLESS STEEL SPOT WELDED TO HOOD AND DISPENSER.
SPINDLE: PLASTIC MOLDED WITH HEAVY DUTY INTER SPRING.
SPINDLE POSTS: TYPE 304 STAINLESS STEEL FASTEN TO DISPENSER.

Installation:

PLACE THE EXTENSION SKIRT BETWEEN THE WALL AND THE TOILET TISSUE DISPENSER SHELL.
 MOUNT UNIT THROUGH THE (2) COUNTERSUNK SCREW HOLES PROVIDED IN THE DISPENSER SHELL AND SUPPLIED #10 X 1" LONG OVAL HEAD PHILIP STAINLESS STEEL MACHINE SCREWS.

Guide Specification:

SINGLE ROLL SURFACE MOUNT TOILET TISSUE DISPENSER.
 TYPE 304 STAINLESS STEEL IN FINISHES INDICATED (-XX)

The manufacturer reserves the right to make changes in design and material without formal notice and without incurring obligation

© Copyright 2005
 Brey-Krause Manufacturing

Brey-Krause Manufacturing
 1209 West Lehigh Street, Bethlehem, PA 18018
 Phone: 610.867.1401 Fax: 610.866.1433
 www.breykrause.com