

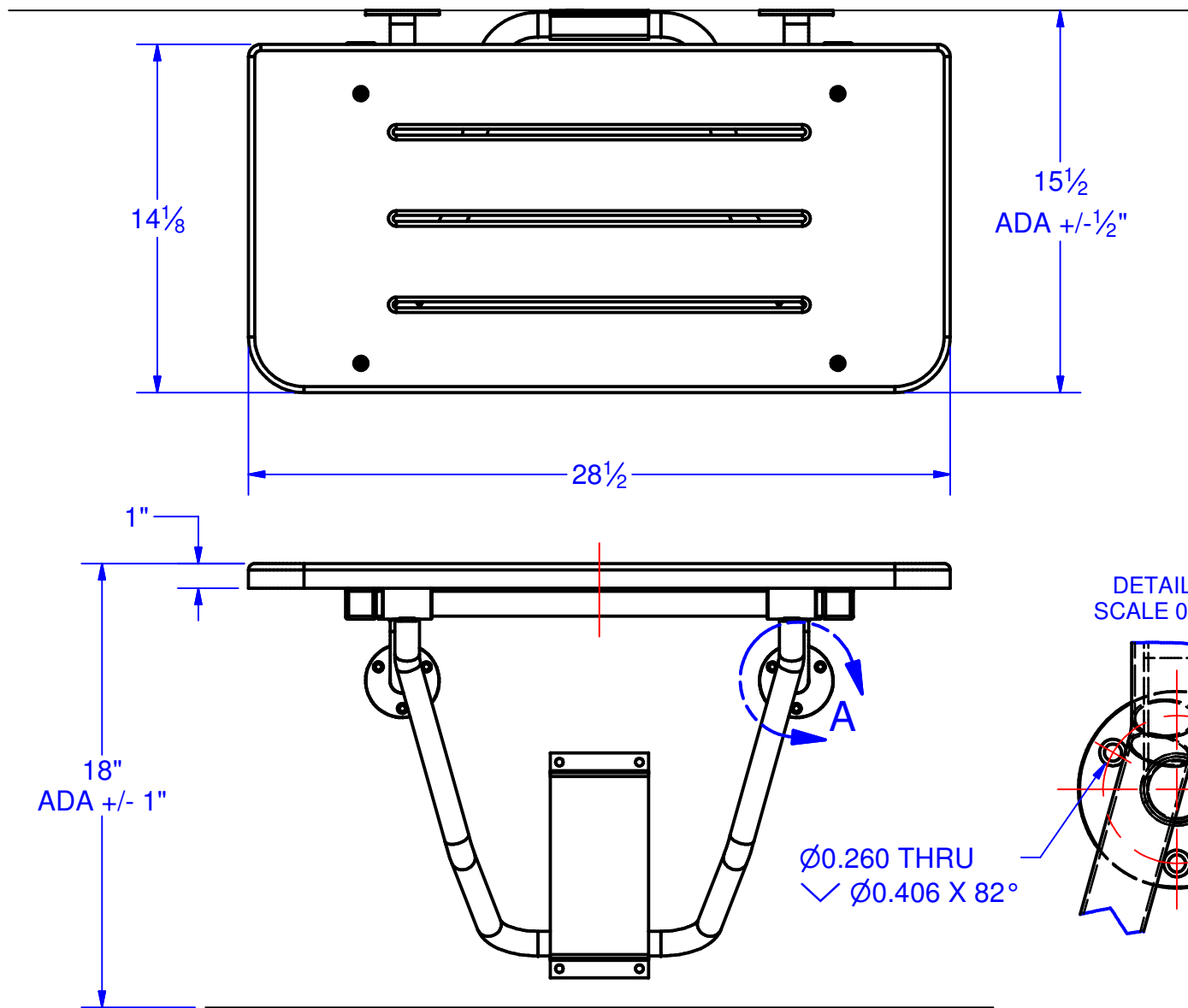


Brey-Krause Manufacturing  
 1209 W. Lehigh St., Bethlehem, PA 18018  
 Phone: 610-867-1401 Fax: 610-866-1433  
 www.breykrause.com  
 Brey-Krause Mfg. reserves the right to make changes in design and/or materials without formal notice and without incurring obligation.

# Technical Data Sheet

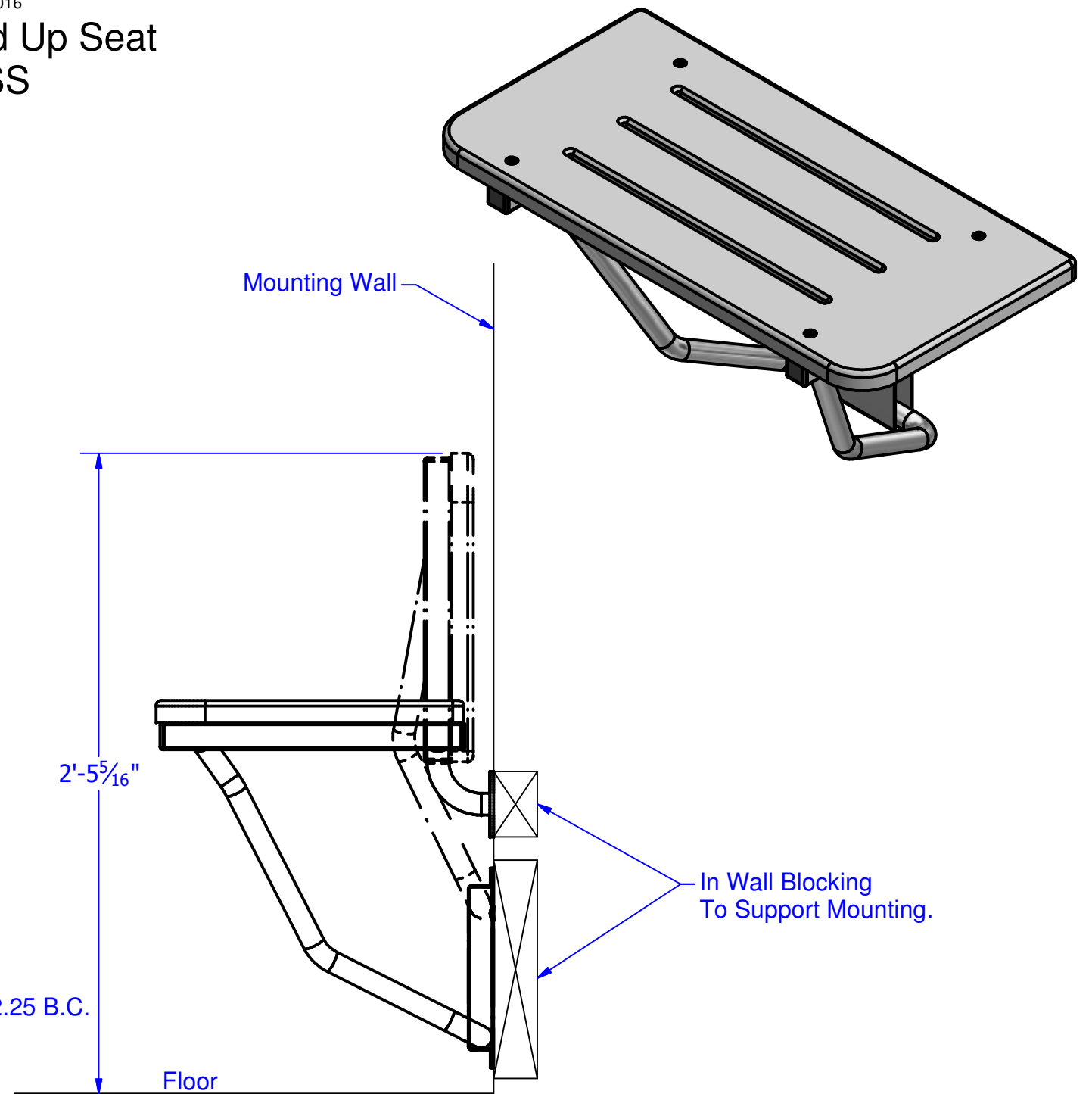
© Brey-Krause Mfg. 2016

## 1" Poly Top, Fold Up Seat S-6219-SS



DETAIL A  
 SCALE 0.4 : 1

Ø0.260 THRU  
 ✓ Ø0.406 X 82°  
 Ø2.25 B.C.



### Construction:

- □1 1/4" x 0.062 wall SS tubing for frames.
- Ø1" x 0.049 wall 304 SS tubing.
- 7 Gauge 304 SS wall flange.
- All Stainless Steel is #4 Satin Finish
- Tops are 1" thick Sanalite® (HDPE) with water drain slots.
- Brey-Krause Shower Seats have been load tested to 400 lbs. without failure when properly installed. This exceeds the ADA requirement of 250 lbs.

### Installation:

- The seat comes fully assembled. You only need to locate and mount the seat to the wall. Then locate and mount the support tube wall bracket.
- Locate and level the seat top in the down position left to right 18" above the floor, fasten the mounting flanges to the wall.
- Next, level the seat front to back, mount the wall plate and bracket for the support tube bottomed on the wall bracket when the seat is level.

### Operation:

- To Raise - Fold the seat into the up position until the support tube snaps into the wall plate dimples.
- To Lower - Fold the seat down until the support tube bottoms out in the wall bracket.
- CAUTION: The shower seat is only as strong as the anchoring devices and the wall area to which it is mounted. Use wall blocking in the mounting area. Consult local building codes for compliance.