



BREY-KRAUSE MANUFACTURING
 1209 W. LEHIGH ST., BETHLEHEM, PA 18018
 PHONE: 610-867-1401 FAX: 610-866-1433
 www.breykrause.com
 Brey-Krause Mfg. reserves the right to make changes in design and/or materials without formal notice and without incurring obligation.

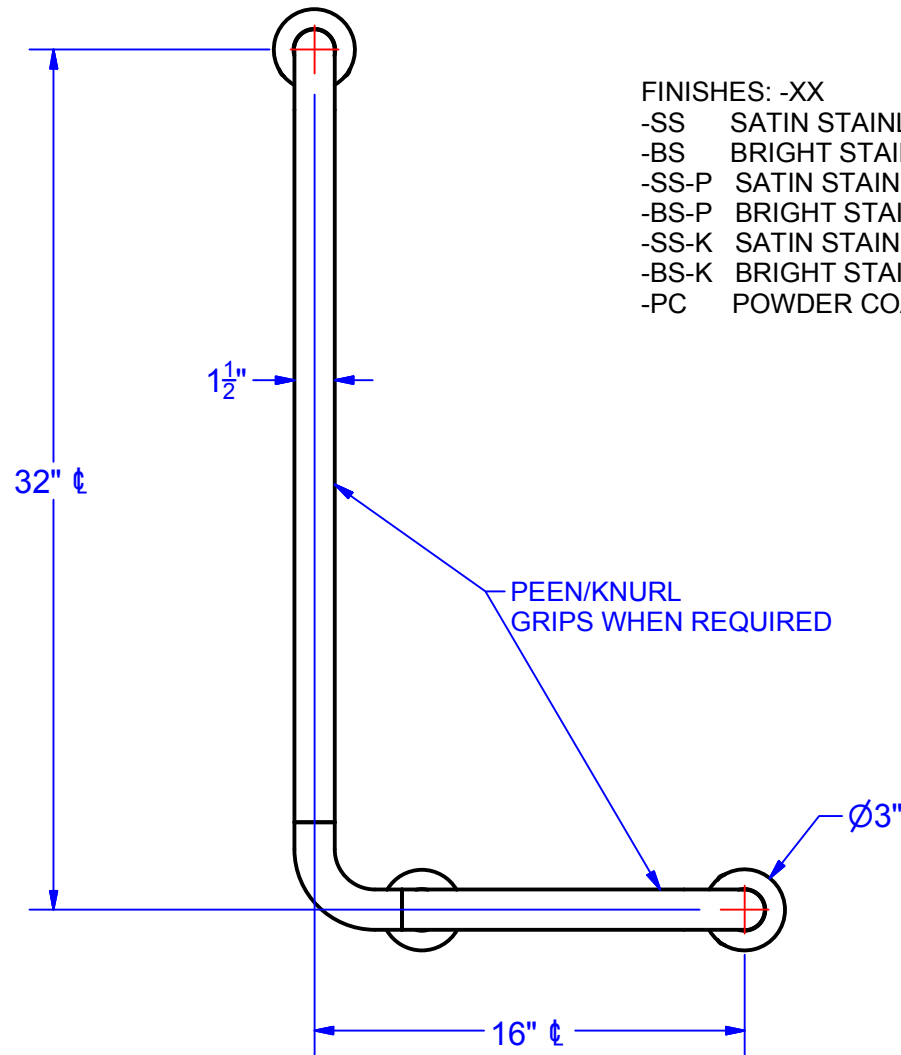
TECHNICAL DATA SHEET

D-7822-XX & D-7823-XX
 SHOWER-TUB BAR

DRAWN BY: D. MARTIN	DATE: 7/31/2014	B
TOLERANCES (UNLESS OTHERWISE SPECIFIED)		
FRACTIONAL : ± 5/32"	X.XX : ± 0.010	
∠ : ± 1°	X.XXX : ± 0.005	
	X.XXXX : ± 0.0002	

FILE: D-7823-XX & D-7822-XX

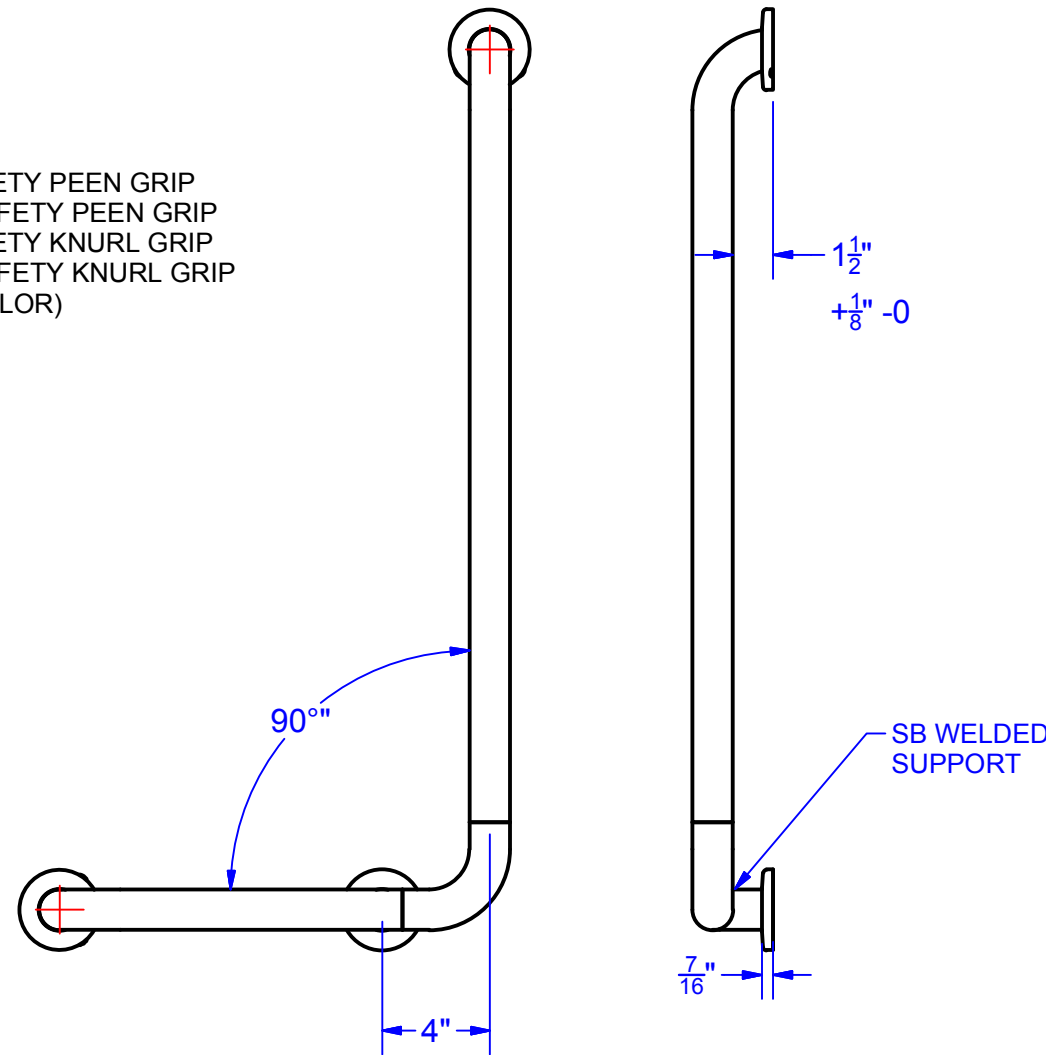
D-7823-XX
LEFT HAND



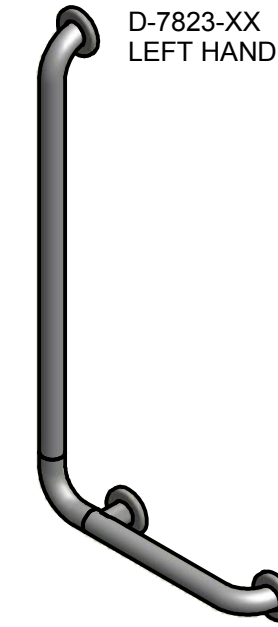
- FINISHES: -XX
- SS SATIN STAINLESS
 - BS BRIGHT STAINLESS
 - SS-P SATIN STAINLESS WITH SAFETY PEEN GRIP
 - BS-P BRIGHT STAINLESS WITH SAFETY PEEN GRIP
 - SS-K SATIN STAINLESS WITH SAFETY KNURL GRIP
 - BS-K BRIGHT STAINLESS WITH SAFETY KNURL GRIP
 - PC POWDER COAT (SPECIFY COLOR)

PEEN AND KNURL GRIPS WILL BE APPLIED TO STRAIGHT SECTIONS OF GRAB BAR ONLY.

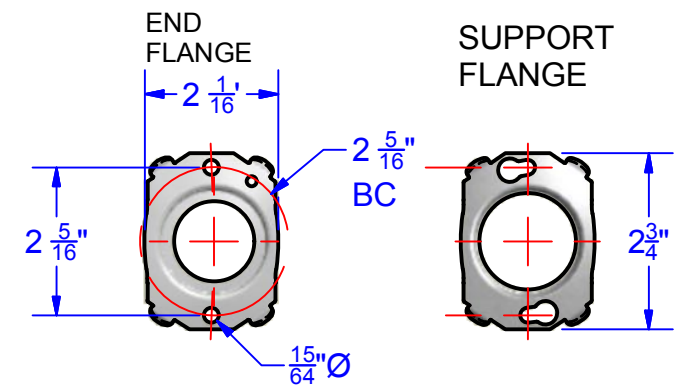
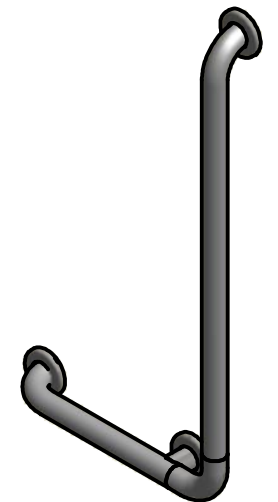
D-7822-XX
RIGHT HAND



D-7823-XX
LEFT HAND



D-7822-XX
RIGHT HAND



CONSTRUCTION:

TUBING: 1 1/2" X 18 GAUGE, TYPE 304 STAINLESS STEEL. MANDREL BENT TUBE PASS THROUGH FLANGES AND ARE TIG WELDED TO FORM A SINGLE STRUCTURE UNIT. WALL CLEARANCE IS 1 1/2" AND SB WELDED SUPPORT AT 4" FROM MID BEND CENTER.

FLANGES: 14 GAUGE, TYPE 304 STAINLESS STEEL WITH (2) 15/64" HOLES FOR ATTACHING TO WALL.

COVERS: 22 GAUGE, TYPE 304 STAINLESS STEEL. 3" DIAMETER. EACH COVER SNAPS OVER FLANGE TO CONCEAL MOUNTING SCREWS.

OPERATION:

BREY-KRAUSE GRAB BARS WITH 1 1/2" WALL CLEARANCE MEET AND EXCEED ADA LOAD REQUIREMENTS OF 250 POUNDS WHEN PROPERLY INSTALLED.

CAUTION: GRAB BAR IS ONLY AS STRONG AS THE ANCHORING DEVICES AND THE WALL ON WHICH IT IS MOUNTED TOO.

INSTALLATION:

SECURE GRAB BAR TO WALL WHERE ADEQUATE IN-WALL BACKING EXISTS. POSITION BAR SO THAT THE HORIZONTAL GRIPPING SURFACE IS 33" TO 36" ABOVE FINISHED FLOOR. USE GRAB BAR AS A TEMPLATE TO LOCATE MOUNTING HOLES. DRILL AND SET ANCHORS. MOUNT GRAB BAR TO WALL AND SECURE MOUNTING SCREWS. SNAP COVERS OVER FLANGES. GRAB BAR MOUNTING KITS ARE AVAILABLE.