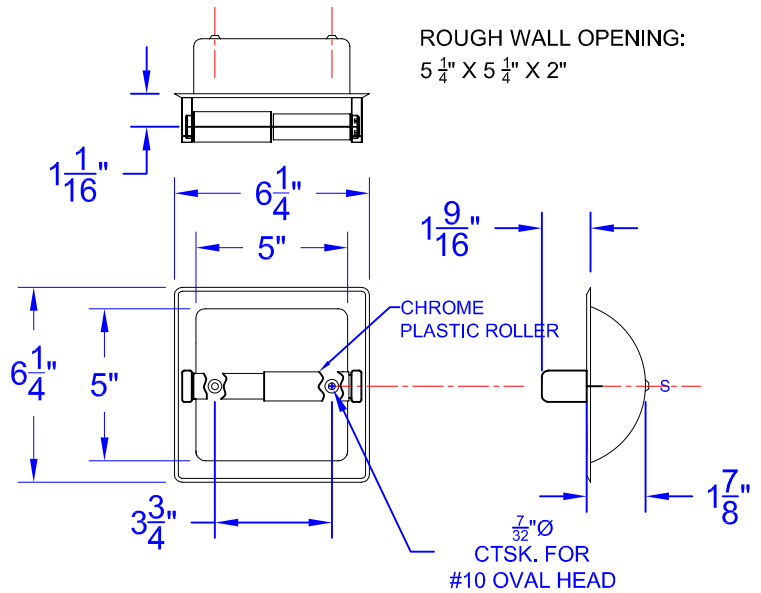
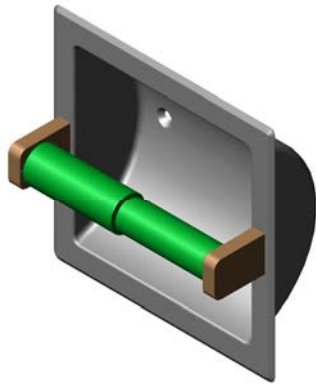




# Technical Data S-2640-XX

SINGLE RECESSED TOILET PAPER HOLDER WITH BRASS PLATED POSTS



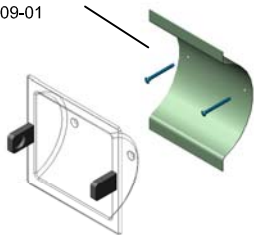
FINISH CODE: -XX

-SS = SATIN (BRASS POSTS ARE SATIN NICKEL PLATED)

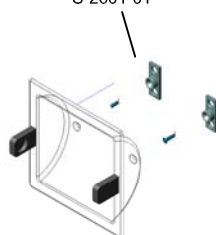
-BS = BRIGHT (BRASS POSTS ARE BRIGHT CHROME PLATED)

### MOUNTING SYSTEMS

DRY WALL CLAMP  
S-2609-01



TILE TYPE LUGS  
S-2601-01



OPTIONAL MOUNTING SYSTEMS COME WITH APPROPRIATE SCREWS.

### Construction:

SHELL: 22 GAUGE TYPE 304 STAINLESS STEEL FORMED ONE PIECE WITH BEVELED EDGES. (2) 7/32" Ø MTG. HOLES CTSK. FOR A #10 OVAL HEAD SCREW.

ROLLER POSTS: SOLID CAST BRASS FASTEN TO SHELL FROM BEHIND.

ROLLER: CHROME PLATED PLASTIC. SPRING LOADED FOR REMOVAL AND RELOAD.

SCREWS: COMES WITH (2) #10 X 1" OVAL PHILIPS STAINLESS STEEL SMS.

### Operation:

HOLDS A SINGLE ROLL OF TOILET TISSUE PAPER OF STANDARD SIZE.

ROLLER ALLOWS FOR QUICK LOADING OF TOILET TISSUE PAPER,

### Installation:

ROUGH WALL OPENING OF 5 1/4" X 5 1/4" X 2" DEEP REQUIRED.

USE SHELL TO MARK LOCATION.

CUT OPENING THROUGH WALL.

FASTEN TO WALL USING SCREWS PROVIDED OR OPTIONAL MOUNTING SYSTEMS SHOWN ABOVE.

CAUTION: RECESSED SHELL REQUIRES NO OBSTRUCTIONS BEHIND WALL. UNIT IS ONLY AS STRONG AS THE ANCHORING DEVICES AND THE WALL ON WHICH IT IS MOUNTED TO.

### Guide Specification:

FABRICATED FROM TYPE 304 STAINLESS STEEL IN FINISHES REQ. (AS LISTED ABOVE)

SPRING LOADED CHROME PLASTIC ROLLER TO HOLD A SINGLE TOILET TISSUE ROLL.

ROUGH WALL OPENING REQUIRED IS 5 1/4" X 5 1/4" X 2" DEEP.

ROLLER POSTS ARE SOLID CAST BRASS PLATED PER FINISH.

The manufacturer reserves the right to make changes in design and material without formal notice and without incurring obligation

© Copyright 2005  
Brey-Krause Manufacturing

Brey-Krause Manufacturing  
1209 West Lehigh Street, Bethlehem, PA 18018  
Phone: 610.867.1401 Fax: 610.866.1433  
www.breykrause.com