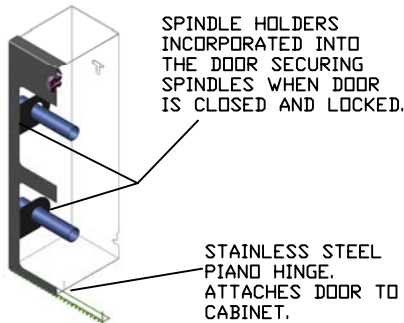
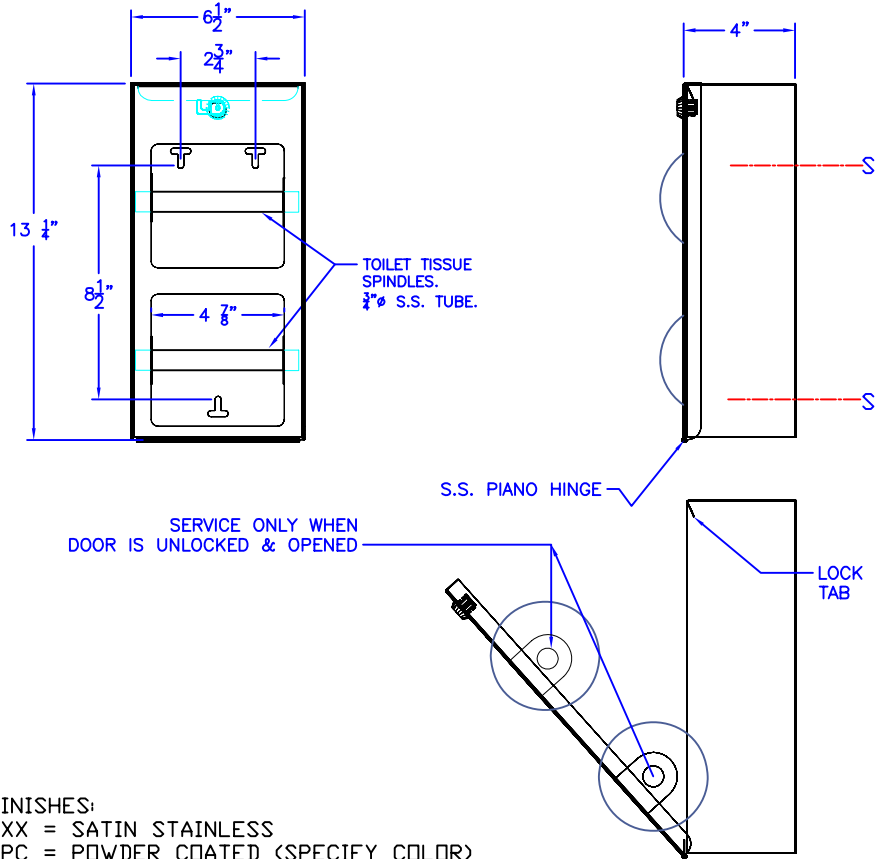
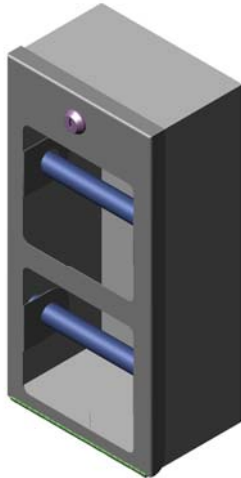




Technical Data C-1040-XX

MULTI-ROLL TOILET TISSUE DISPENSER, SURFACE MOUNT



FINISHES:
-XX = SATIN STAINLESS
-PC = POWDER COATED (SPECIFY COLOR)

Construction:

CABINET: 22 GAUGE TYPE 304 STAINLESS STEEL, ONE PIECE CONSTRUCTION.
DOOR: 22 GAUGE TYPE 304 STAINLESS STEEL, FASTEN TO CABINET WITH PIANO HINGE. EQUIPPED WITH TUMBLER LOCK AND KEY.
SPINDLES: 3/8" X .035 WALL STAINLESS STEEL TUBE, RETAINED IN DOOR WHEN CLOSED AND LOCKED.

Operation:

UNIT HOLDS TWO STANDARD TOILET TISSUE ROLLS UP TO 5 1/4" DIAMETER. TISSUE ROLLS ARE LOADED AND SECURED INSIDE DOOR.
DEPLETED ROLLS CAN ONLY BE REMOVED AFTER UNLOCKING DOOR.

Installation:

UNLOCK DOOR AND REMOVE SPINDLES.
USE UNIT AS TEMPLATE TO LOCATE HOLES (3).
DRILL HOLES AND FASTEN TO WALL USING (3) T-SLOTTED HOLES (FOR #10 SCREW NOT PROVIDED)
T-SLOTS ALLOW FOR ADJUSTMENT.
LOAD SPINDLES WITH STANDARD TOILET TISSUE ROLLS & INSERT BACK INTO DOOR SPINDLE HOLDERS.
CLOSE AND LOCK DOOR.

Guide Specification:

SURFACE MOUNTED MULTI-ROLL TOILET TISSUE DISPENSER CONSTRUCTED FROM TYPE 304 STAINLESS STEEL.
(2) THEFT-RESISTANT STAINLESS STEEL SPINDLES HOLD STANDARD TOILET TISSUE ROLLS UP TO 5 1/4" DIAMETER.
TUMBLER LOCK AND KEY ALLOWS FOR SERVICE OF DEPLETED ROLLS.
DOOR SECURED TO CABINET AND PIVOTS OPEN WHEN UNLOCKED FOR SERVICE.
FINISHES ARE AS LISTED. POWDER COATED COLORS ARE AVAILABLE- SPECIFY COLOR.

The manufacturer reserves the right to make changes in design and material without formal notice and without incurring obligation

© Copyright 2005
Brey-Krause Manufacturing

Brey-Krause Manufacturing
1209 West Lehigh Street, Bethlehem, PA 18018
Phone: 610.867.1401 Fax: 610.866.1433
www.breykrause.com